

ST5009BK

Odyssey 1LT Wall

FEATURES

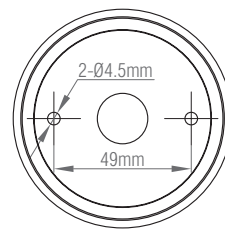
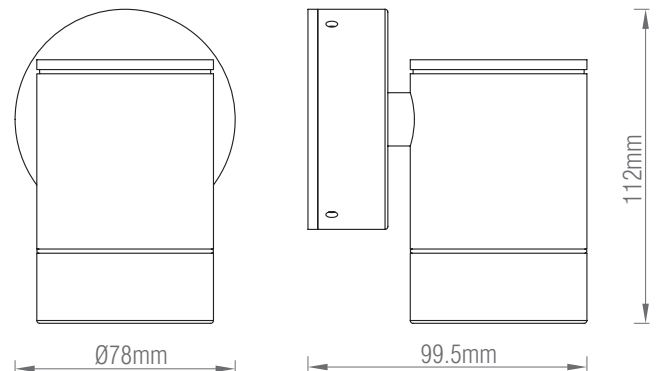
- 2 years warranty
- Satin black & clear glass finish
- Constructed from aluminium alloy & glass
- IP65

SPEC DATA

Lamp Specification:	Max. 7W LED GU10 (required)
Dimmable:	Y
Operational Voltage:	220-240V
Hertz:	50-60Hz
Operating Temp.:	-20 to 40 Degree
Product Weight (KG):	0.4
Terminal Block:	3-way
Class:	1

ACCESSORIES

- 70257, GU10 LED 60°, 3000K
- 70258, GU10 LED 60°, 4000K
- 74045, GU10 LED 60°, 6000K
- 70259, GU10 LED dimmable 60°, 3000K
- 70260, GU10 LED dimmable 60°, 4000K
- 74048, GU10 LED dimmable 60°, 6000K
- 92537, GU10 LED blue



mount plate