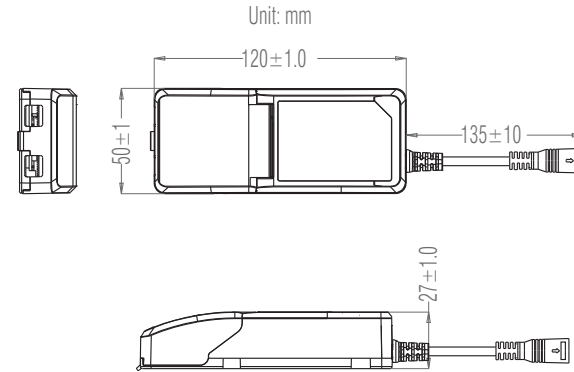


LED Driver Constant Current 25/30/35/40W Selectable

Features:

- Independent compact design
- Protections: opencircuit, shortcircuit, overload, overtemperature
- Simple installation
- SELV equivalent
- Protection class II
- Dimmable
- Adjustment current



Switching selection sheet				
NO.1 to NO.2 channel switch output current				
Pout Max	Irated	Urated	1	2
25.0W	600mA	42V	—	—
31.5W	750mA	42V	0N	—
36.0W	850mA	42V	—	0N
42.0W	1000mA	42V	0N	0N

Parameters:

Model No.	Input voltage (V)	Output voltage (V)	Output current (A)	Power factor (λ)	Ambient temperature ta (°C)	Max. casing temperature tc (°C)	Type of light source for which it is intended	Efficiency full load (%)	No-load power (Pno in W)	Standby power (Psb in W)	Suit for dimming (Y/N)	Networked standby power (Pnet in W)	For OLED and HL Maxmium output power (W)	Max. output (W)	Dimensions LxWxH (mm)	Weight (g)
92544	220-240	25-42	0.6-1.0	≥0.9	-25...+40	80	LED	88	≤0.5	≤0.5	N	N/A	N/A	42	120x50x27	108

Saxby Lighting, Cabot Lane, Creekmoor, Poole, Dorset, BH17 7BY.

T: (+44) 033 00 555 885 F: (+44) 01202 409811 E: sales@saxbylighting.com

www.saxbylighting.com