

92514

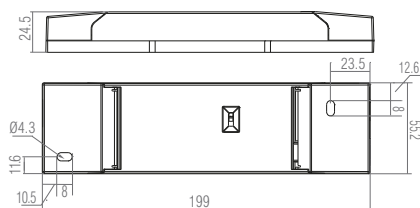
Emergency LED Conversion Kit

Feature:

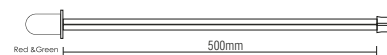
- The battery pack, LED charge indicator, a test switch and the emergency power module included
- When in emergency mode, the unit will operate a 2.5W LED load with constant power with a rated output voltage of 10V-90V. The unit has a discharge protection circuit, over load, short circuit and battery low voltage protection.
- The unit is universal design for use with most LED lamps that works with constant power drivers.



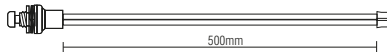
unit:mm



Status Indication LED



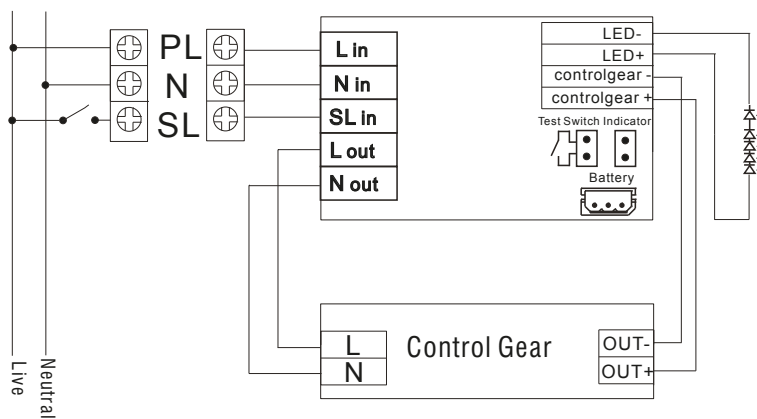
Test Button



Technical Data:

Rated supply voltage	220-24VAC
Mains frequency	50/60Hz
Mains input current	25mA-38mA
Mains Input power	3.5W±10%-4W±10%
Power factor	0.75C
Battery charge current	200mA
Battery warranty	2 years
EM LED current	13-185mA
EM LED voltage	10-90VDC
EM LED power	2.5W
EM LED emergency time	3h
Ambient temperature ta	0...+45°C
Max. casing temperature tc	+60°C
Battery type	LiFePO4 6.4V 1500mAh
Dimensions (L x W x H)	199 x 55.2 x 24.5
Cut-out Dia	60mm

The output current of LED driver is under 1.5A.
220-240V / 50-60HZ



With the following cases, the indicator will be off

- Mains power off, the light goes into emergency mode.
- Battery is disconnect when mains power on.
- Battery be connected again after disconnected when mains power on (Attention: In that case, please re-connect the battery when mains power off, and then re-set the AC mains power).