

90962

Hoxton Ground Recessed LED

FEATURES

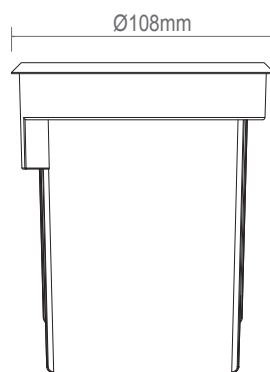
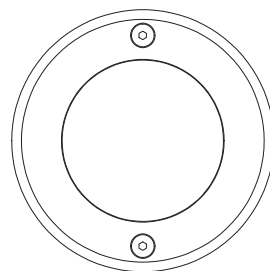
- 3 years (2 years + 1 year) extended warranty
- Construction and finish: brushed stainless steel (304) & clear glass
- Tilt light head 20°
- IP67
- IK08

SPEC DATA

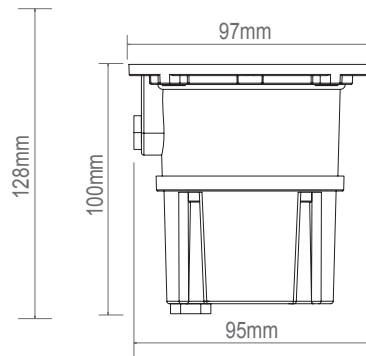
Product Wattage:	6W
Product Lumen:	500
Lumen/W:	83
Kelvin:	3000K
Energy Rating:	A+
Dimmable:	No
Beam Angle:	38°
CRI:	80
Lifetime (Hours):	20000
SDCM:	6
Driver Type:	Constant Current 300mA
Product Voltage:	220-240V
Power Factor:	0.9
Surge Protection (KV):	1.5
Operating Temp.:	-20 to 40 Degree
Product Weight (KG):	0.75
Class:	1
Cut Hole Dia:	105mm
Minimum cavity depth:	125mm

ACCESSORIES

- 90131, Inline IP68 connector straight
- 90132, Inline IP68 connector tee



supplied housing



LED body