

78647

Bodenn

FEATURES

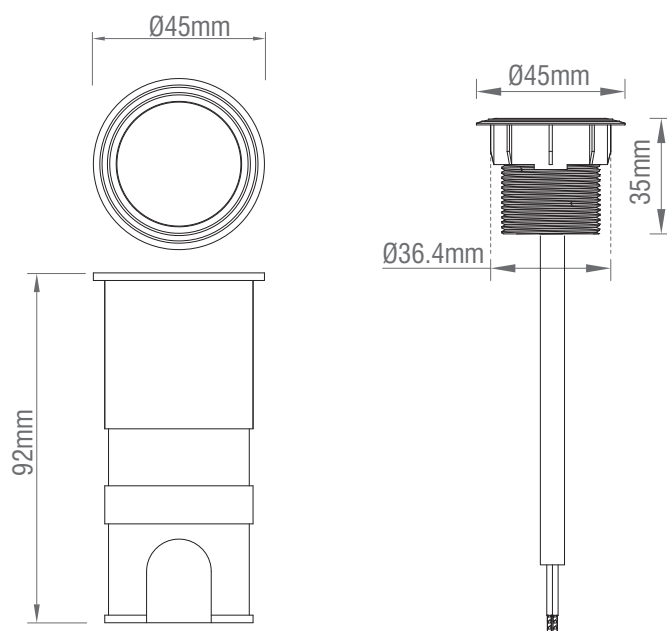
- 2 years warranty
- Marine grade brushed stainless steel & frosted PC finish
- Constructed from marine grade stainless steel (316) & polycarbonate
- IP67

SPEC DATA

Product Wattage:	1.3W
Product Lumen:	140
Lumen/W:	108
Kelvin:	3000
Energy Rating:	A++
Dimmable:	No
Beam Angle:	120°
Power Factor:	0.5
CRI:	80
Lifetime (Hours):	25000
LED chip:	San'an
SDCM:	6
Product Voltage:	220-240V
Hertz:	50/60
Surge Protection (KV):	1
Operating Temp.:	-20 to 40 Degree
Product Weight (KG):	0.17
Cable Length (m):	1.5
Cable Spec.:	H05RN-F
Class:	2

ACCESSORIES

- 90131, Inline IP68 connector straight
- 90132, Inline IP68 connector tee



Supplied housing for ground fitting

Cut out size: Dia 39mm
Minimum deep: 90mm

LED head unit for deck fitting

Cut out size: Dia 36mm
Minimum deep: 50mm