

# 73785

## ShieldECO 500

### FEATURES

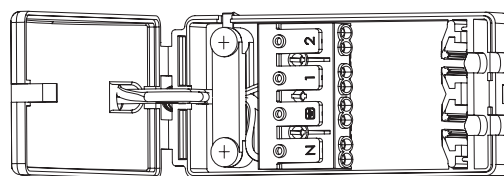
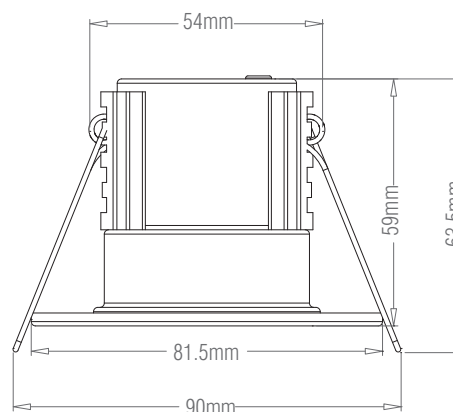
- 5 years (2 years + 3 years) extended warranty
- Matt white & clear acrylic finish
- Constructed from steel & acrylic
- Complete with integrated control gear
- Fire rated to 30, 60 & 90 minutes
- Suitable for covering with insulation 270mm
- Suitable for bathroom zone 2
- Suitable for bathroom zone 1 if used in conjunction with a 30MA RCD
- IP65

### SPEC DATA

Product wattage:	5W
Product Lumen:	500
Lumen/W:	100
Kelvin:	3000K
Energy Rating:	E
Dimmable:	Yes
Beam Angle:	60°
Power Factor:	0.9
CRI:	80
Lifetime (Hours):	30000
LED Type:	SMD
SDCM:	<6
Driver Type:	Constant current 85mA
Inrush Current at Start Up:	Max. 20A
Product Voltage:	220-240V
Hertz:	50/60
Cut out:	Ø57mm
Minimum Cavity Depth:	62mm
Operating Temp:	-20 to 40 Degree
Product Weight (KG):	0.19
Terminal Block:	4-way Quick fit
Class:	2

### ACCESSORIES

- 95202, ShieldECO satin bezel
- 95203, ShieldECO chrome bezel
- 95204, ShieldECO black bezel
- 101345, Dimmer module 100W universal
- 101346, Dimmer module 250W trailing edge
- 103944, EM conversion kit 8W



Quick fit