

# 73716

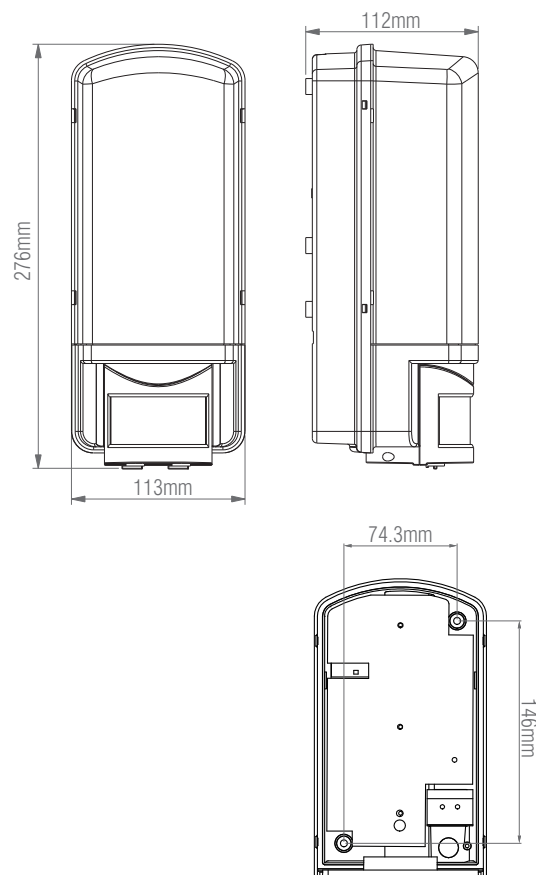
## Motion LED PIR 1lt Wall

### FEATURES

- 5 years (2 years + 3 years) extended warranty
- Frosted & black PC finish
- Constructed from polycarbonate
- Complete with built in manual override PIR
- 10 lux on, 2000 lux off. 120° detection angle, 10m maximum range with a 1 sec - 5 min timer function
- IP44

### SPEC DATA

Product Wattage:	6W
Product Lumen:	600
Lumen/W:	100
Kelvin:	3000/4000/6000K
SDCM:	6
CRI:	80
Dimmable:	N
Lifetime (Hours):	50000
Beam Angle:	120°
Power Factor:	0.9
Driver Type:	Constant Current 120mA
Inrush Current at Start Up:	200mA
Energy Rating:	D
Product Voltage:	220-240V
Hertz:	50/60
Surge Protection (KV):	1
Operating Temp.:	-20 to 40 Degree
Product Weight (KG):	0.5
Terminal Block:	3-way fast fix
Class:	1



Back panel of installation