

108297

ShieldECO 500 CCT TILT

FEATURES

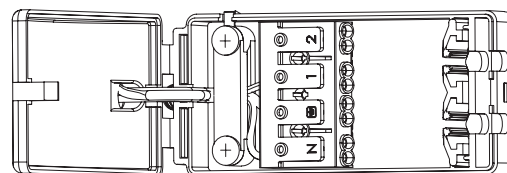
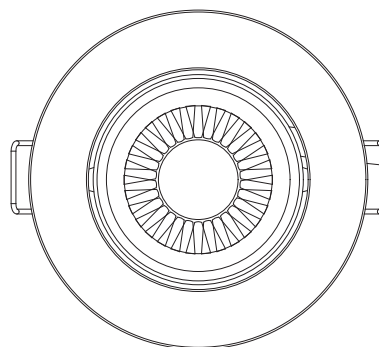
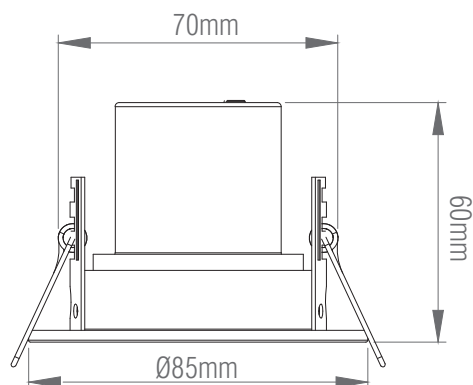
- 3 years (2 years + 1 year) extended warranty
- Chrome plate & clear acrylic finish
- Constructed from steel & acrylic
- Fire rated to 30, 60 & 90 minutes
- Suitable for covering with insulation 270mm
- 20° tilt
- Adjustable

SPEC DATA

Product wattage:	5W
Product Lumen:	500
Lumen/W:	100
Kelvin:	3000/4000/6000K
Energy Rating:	D
Dimmable:	Yes
Beam Angle:	60°
Power Factor:	0.9
CRI:	80
Lifetime (Hours):	30000
LED Type:	SMD
SDCM:	6
Driver Type:	Constant current 85mA
Inrush Current at Start Up:	10A
Product Voltage:	220-240V
Hertz:	50/60
Surge Protection (KV):	2
Cut out:	Ø70mm
Minimum Cavity Depth:	60mm
Operating Temp:	-20 to 40 Degree
Product Weight (KG):	0.239
Terminal Block:	4-way Quick fit
Class:	2

ACCESSORIES

- 101345, Dimmer module 100W universal
- 101346, Dimmer module 250W trailing edge
- 103944, EM conversion kit 8W



Quick fit