

108295

ShieldECO 500 CCT TILT

FEATURES

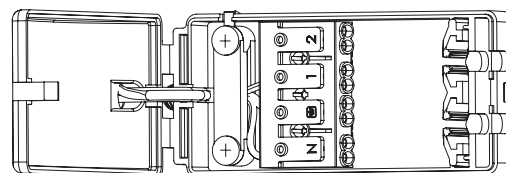
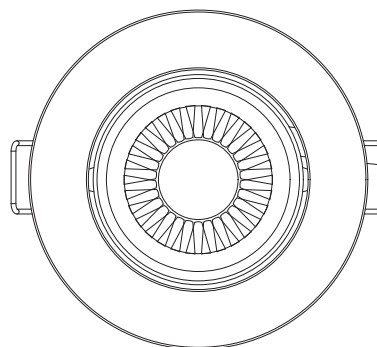
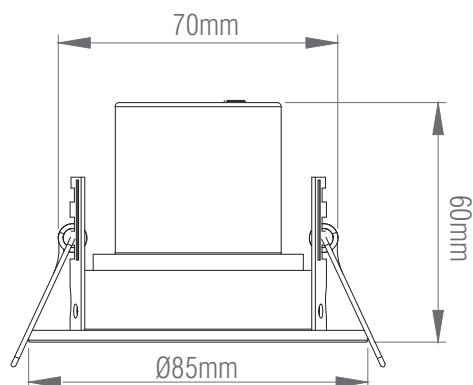
- 3 years (2 years + 1 year) extended warranty
- Matt black & clear acrylic finish
- Constructed from steel & acrylic
- Fire rated to 30, 60 & 90 minutes
- Suitable for covering with insulation 270mm
- 20° tilt
- Adjustable

SPEC DATA

| | |
|-----------------------------|-----------------------|
| Product wattage: | 5W |
| Product Lumen: | 500 |
| Lumen/W: | 100 |
| Kelvin: | 3000/4000/6000K |
| Energy Rating: | D |
| Dimmable: | Yes |
| Beam Angle: | 60° |
| Power Factor: | 0.9 |
| CRI: | 80 |
| Lifetime (Hours): | 30000 |
| LED Type: | SMD |
| SDCM: | 6 |
| Driver Type: | Constant current 85mA |
| Inrush Current at Start Up: | 10A |
| Product Voltage: | 220-240V |
| Hertz: | 50/60 |
| Surge Protection (KV): | 2 |
| Cut out: | Ø70mm |
| Minimum Cavity Depth: | 60mm |
| Operating Temp: | -20 to 40 Degree |
| Product Weight (KG): | 0.239 |
| Terminal Block: | 4-way Quick fit |
| Class: | 2 |

ACCESSORIES

- 101345, Dimmer module 100W universal
- 101346, Dimmer module 250W trailing edge
- 103944, EM conversion kit 8W



Quick fit