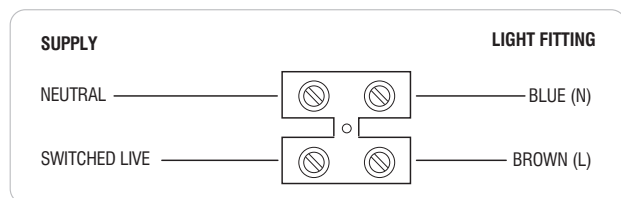


## Wiring

Having correctly identified the wiring from your light fitting, pull the wire through the hole and connect to the connection block in the following way:

This unit is double insulated and must not be earthed. If there are any incoming earth cables, they must be joined together and well insulated with good quality insulation tape. This is to ensure earth continuity throughout your property.



### Check that...

- You have correctly identified the wires.
- The connections are tight.
- No loose strands have been left out of the connection block.

## Technical data

Supply Voltage: 220-240 V~, 50 Hz

Bulb Type: 18W LED module (SMD), 4000K

This product contains a light source of energy efficiency class **F**.



Conformity with all relevant UKCA Directive requirements.



Conformity with all relevant EC Directive requirements.



The power supply is Double Insulated and does not require connection to an Earth circuit.



Waste electrical products should not be disposed of with household waste. Please recycle where facilities exist. Check with your Local Authority or local store for recycling advice.



This product is not suitable for dimming.



Caution! Risk of electric shock!

## Care and Safety

We recommend cleaning with a soft dry cloth. Do not use solvents or abrasive cleaners as these could damage the finish. For your safety, always switch off the power supply before cleaning.

For further information, please visit <https://www.lighting-info.co.uk/78541>

V2 18/12/2021

UK Manufacturer: BH17 7BY

EU Manufacturer: Brilliant AG,  
Brilliantstrasse 1, D-27442 Gnarrenburg

saxby  
lighting

Instruction manual

# SirioDISC Adjustable

78541



[www.saxbylighting.com](http://www.saxbylighting.com)

saxby  
lighting

Thank you for purchasing this light fitting. Please read the instruction carefully before use to ensure safe and satisfactory operation of this product. Please retain these instruction for future reference.

## Warning

 This power supply is double insulated and does not require connection to an Earth circuit.

 Luminaires not suitable for covering with thermally insulating material.

Please read these instructions carefully before commencing any work.

This unit must be fitted by a competent and qualified electrician.

Check the pack and make sure you have all the parts listed.

Install in accordance with the IEE Wiring regulations and current Building Regulations.

To prevent electrocution switch off at mains supply before installing or maintaining this fitting. Ensure other persons cannot restore the electrical supply without your knowledge. If you are in any doubt, please consult a qualified electrician.

This light fitting should be connected to a fused circuit.

If replacing an existing fitting, make a careful note of the connections.

This fitting must always be fitted to a plasterboard ceiling. This must not be fitted to a plaster and lath ceiling.

This system contains non-replaceable parts and cannot be serviced. If damage occurs the part should be scrapped.

Waste electrical products should not be disposed of with household waste. Please recycle where facilities exist. Check with your local authority or retailer for recycling advice.

## Layout

Plan the desired layout of this fitting carefully, ensuring the cables will reach the distance between the junction box and the light fitting.

Avoid locating any cables in positions that would cause a hazard. Position cables and junction boxes (not supplied) away from areas where they may be at risk from being cut, trapped or damaged.

The mains supply cable must have a minimum cross section area of 1.0mm<sup>2</sup>.

Cables must be protected using suitable conduit or plastic trunking.

The distance between units must be 0.5m minimum.

There is at least 0.2mm distance between the lamp and the inflammable materials.

This product must be mounted out of arms reach.

## Installation

Existing fittings must be completely removed before installation of a new product. Before removing the existing fitting, **carefully note the position of each set of wires**.

Note that the power needs to be isolated/switched off at the fuse board.

The ceiling surface must be flat and smooth to ensure a good fit.

This product can be recessed mounted and surface mounted on the ceiling.

- Spring adjustable instruction refer to **Fig 1**.
- **Recessed mounted** refer to **Fig 2**. cut a 65-205mm hole using an appropriate tool. It is recommended to cut the hole slightly smaller than needed, then file the hole until the recessed unit fits snugly. Ensure that the void depth is a minimum of 15mm.
- Ensure that the product is sitting properly in the hole.
- **Surface mounted** refer to **Fig 3**. Ensure the bracket is fixed on the ceiling firmly.
- Wiring as detailed wiring diagram.
- Replace fuse or circuit breaker and switch on. Your light is now ready for use.

Fig 1

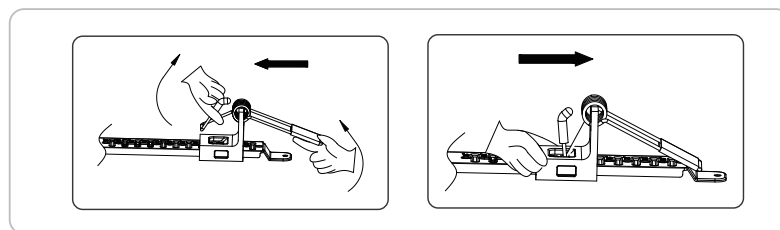


Fig 2

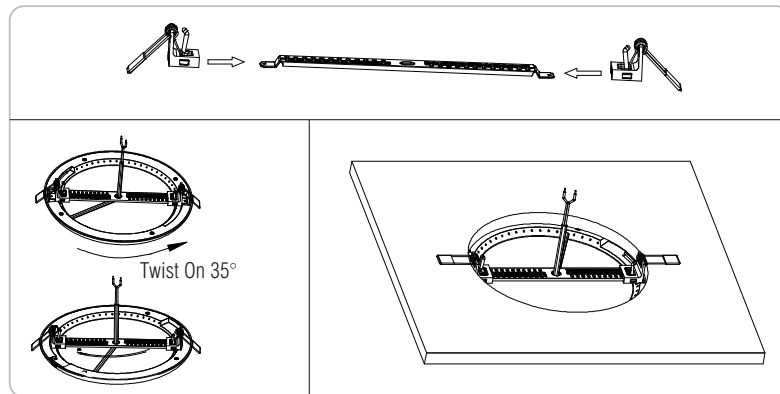


Fig 3

