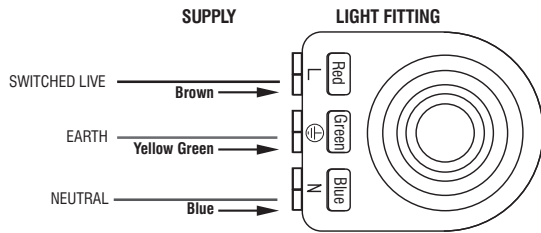


Wiring

Having correctly identified the wiring from your existing light fitting, Pull the mains wire through the hole and directly plug to the connection block inside the quick fit connection case in the following way. No tools are necessary.



Check that...

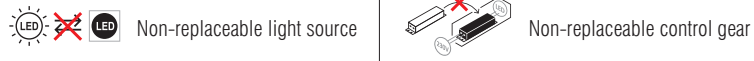
- You have correctly identified the wires.
- The connections are tight.
- No loose strands have been left out of the connection block.

Technical data

Supply Voltage: 220-240 V~, 50 Hz

Bulb Type: 99566---12W LED module (SMD) CCT, 3000K / 4000K / 6000K
99767---24W LED module (SMD) CCT, 3000K / 4000K / 6000K

This product contains a light source of energy efficiency class **D**.



Conformity with all relevant UKCA Directive requirements.



Conformity with all relevant EC Directive requirements.



This product is Class 1, must be connected to earth.



Waste electrical products should not be disposed of with household waste. Please recycle where facilities exist. Check with your Local Authority or local store for recycling advice.



This product is not suitable for dimming.



This product is rated at IP44.



This product is rated at IK08.

Care and Safety

We recommend cleaning with a soft dry cloth. Do not use solvents or abrasive cleaners as these could damage the finish.

Shade - Remove and wash in warm water or just use a damp cloth.
For your safety, always switch off the power supply before cleaning.



This bulb is protected by a shade. This part must be replaced immediately should the shade become cracked or damaged. This fitting must not be used without the shade in place.

For further information, please visit <https://www.lighting-info.co.uk/99566>

V1 22/10/2021

UK Manufacturer: BH17 7BY
EU Manufacturer: Brilliant AG,
Brilliantstrasse 1, D-27442 Gnarrenburg

saxby
lighting

Instruction manual

Nimbus CCT

99566, 99767



www.saxbylighting.com

saxby
lighting

Thank you for purchasing this light fitting. Please read the instruction carefully before use to ensure safe and satisfactory operation of this product. Please retain these instruction for future reference.

Warning

This is a Class 1 product and must be earthed.

Please read these instructions carefully before commencing any work.

This unit must be fitted by a competent and qualified electrician.

Install in accordance with the IEE Wiring regulations and current Building Regulations.

Check the pack and make sure you have all the parts listed.

To prevent electrocution switch off at the mains supply before installing or maintaining this fitting. Ensure other persons cannot restore the electrical supply without your knowledge.

This light fitting should be connected to a circuit with a 30mA RCD fitted.

If replacing an existing fitting, make a careful note of the connections.

This system contains non-replaceable parts and cannot be serviced. If damage occurs the part should be scrapped.

Take care not to drill into any pipes or mains cables beneath the surface during mounting holes preparation.

Waste electrical products should not be disposed of with household waste. Please recycle where facilities exist. Check with your local authority or retailer for recycling advice.

Layout

Plan the desired layout of this fitting carefully, ensuring the cables will reach the distance between the junction box and the light fitting.

Avoid locating any cables in positions that would cause a hazard. Position cables and junction boxes (not supplied) away from areas where they may be at risk from being cut, trapped or damaged.

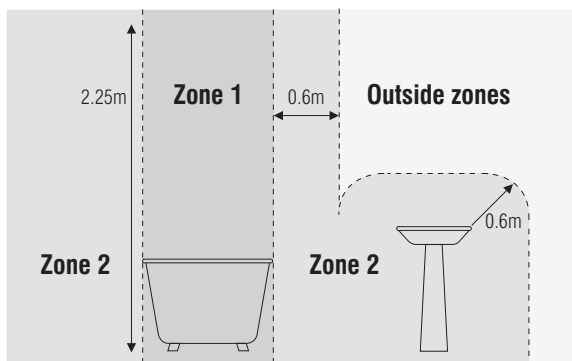
The mains supply cable must have a minimum cross section area of 1.0mm².

Cables must be protected using suitable conduit or plastic trunking.

This product has special protection against the ingress of moisture and is IP44 rated.

This product is suitable for use in Zone 2 and outside zones of a bathroom. Please see diagram.

If this unit is being fitted in a room containing a bath or shower, a 30mA RCD must be used - in accordance with IEE regulations.



Installation

Existing fittings must be completely removed before installation of a new product. Before removing the existing fitting, carefully note the position of each set of wires.

Note that the power needs to be isolated/switched off at the fuse board.

Ensure that the screws and cable entry points are sealed to maintain the IP rating of the product.

- Turn the Metal plate ① counterclockwise to remove from lamp body ② .
- Using the Metal plate ① as a template, mark and drill the fixing holes. Then fix plastic plugs supplied into the ceiling. Ensure the ceiling is capable of holding the weight of the product. Take care to avoid damaging any concealed wiring and pipes.
- Wire as detailed Wiring diagram.
- Fix the Metal plate to the ceiling using the screws supplied.
- There are three colour rings supplied. Select suitable colorful ring to fix to the lamp body, convex ③ aim at grooves ④ of lamp body.
- Dip switch to the favorite color temperature, and follow the instructions ⑥ to install the lamp body into Metal bottom plate ① in right direction.
- Replace fuse or circuit breaker and switch on. Your light is now ready for use.

