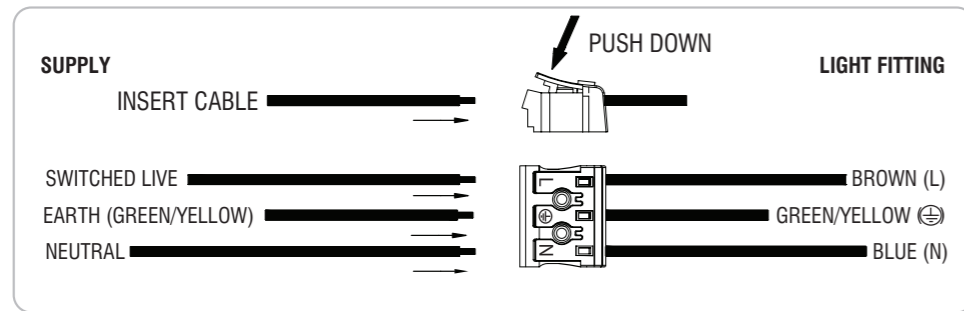


Wiring

Having correctly identified the wiring from your existing light fitting, pull the mains wire through the hole and connect to the quick fit connection block inside the product in the following way:



Check that...

You have correctly identified the wires.

The connections are tight.

No loose strands have been left out of the connection block.

Reseal the approved outdoor rated external terminal block

Technical data


Supply Voltage: 220-240 V~, 50 Hz

Bulb Type: 6W LED module (SMD) CCT, 3000/4000/6000K. This product contains a light source of energy efficiency class **D**.

 Non-replaceable light source  Non-replaceable control gear

 Conformity with all relevant UKCA Directive requirements.

 Conformity with all relevant EC Directive requirements.

 This product is Class 1, must be connected to earth.


 Waste electrical products should not be disposed of with household waste. Please recycle where facilities exist. Check with your Local Authority or local store for recycling advice.

 This product is rated at IP44.

Care and Safety

We recommend cleaning with a soft wet cloth. Do not use solvents or abrasive cleaners as these could damage the finish.

For your safety, always switch off the power supply before cleaning.

 This LED's are protected by a PC shade. The shade part must be replaced immediately should it become cracked or damaged. This fitting must not be used without the PC shade in place.

For further information, please visit <https://www.lighting-info.co.uk/73716>

V6 23/05/2025
UK Manufacturer: BH17 7BY
EU Manufacturer: Brilliant AG,
Brilliantstrasse 1, D-27442 Gnarrenburg

saxby
lighting

Instruction manual

Motion LED PIR/Photocell 1LT Wall

73716, 73717



www.saxbylighting.com

saxby
lighting

Thank you for purchasing this light fitting. Please read the instructions carefully before use to ensure safe and satisfactory operation of this product. Please retain these instructions for future reference.

Warning

This is a Class 1 product and must be earthed.

Please read these instructions carefully before commencing any work.

This unit must be fitted by a competent and qualified electrician.

Install in accordance with the IEE Wiring regulations and current Building Regulations.

Check the pack and make sure you have all the parts listed.

To prevent electrocution switch off at the mains supply before installing or maintaining this fitting. Ensure other persons cannot restore the electrical supply without your knowledge. If you are in any doubt, please consult a qualified electrician.

If replacing an existing fitting, make a careful note of the connections.

The entire unit gets hot whilst on for a period of time, ensure the fitting is mounted out of arms reach.

Never put anything on the product or hang anything on any part of this product.

This system contains non-replaceable parts and cannot be serviced. If damage occurs the part should be scrapped.

Waste electrical products should not be disposed of with household waste. Please recycle where facilities exist. Check with your local authority or retailer for recycling advice.

Layout

Plan the desired layout of these fittings carefully, ensuring the cables will reach the distances between the junction box and the each light fitting.

Avoid locating any cables in positions that would cause a hazard. Position cables and outdoor rated junction boxes (not supplied) away from areas where they may be at risk from being cut, trapped or damaged.

We recommend that you use H05RN-F specification cable (not supplied) which is an outdoor grade, rubber sheathed cable.

The mains supply cable must have a minimum cross section area of 1.0mm².

Cables must be protected using suitable conduit or trunking.

Take care not to drill into any pipes or mains cables beneath the surface during mounting holes preparation.

This product has special protection against the ingress of moisture and is IP44 rated.

Installation

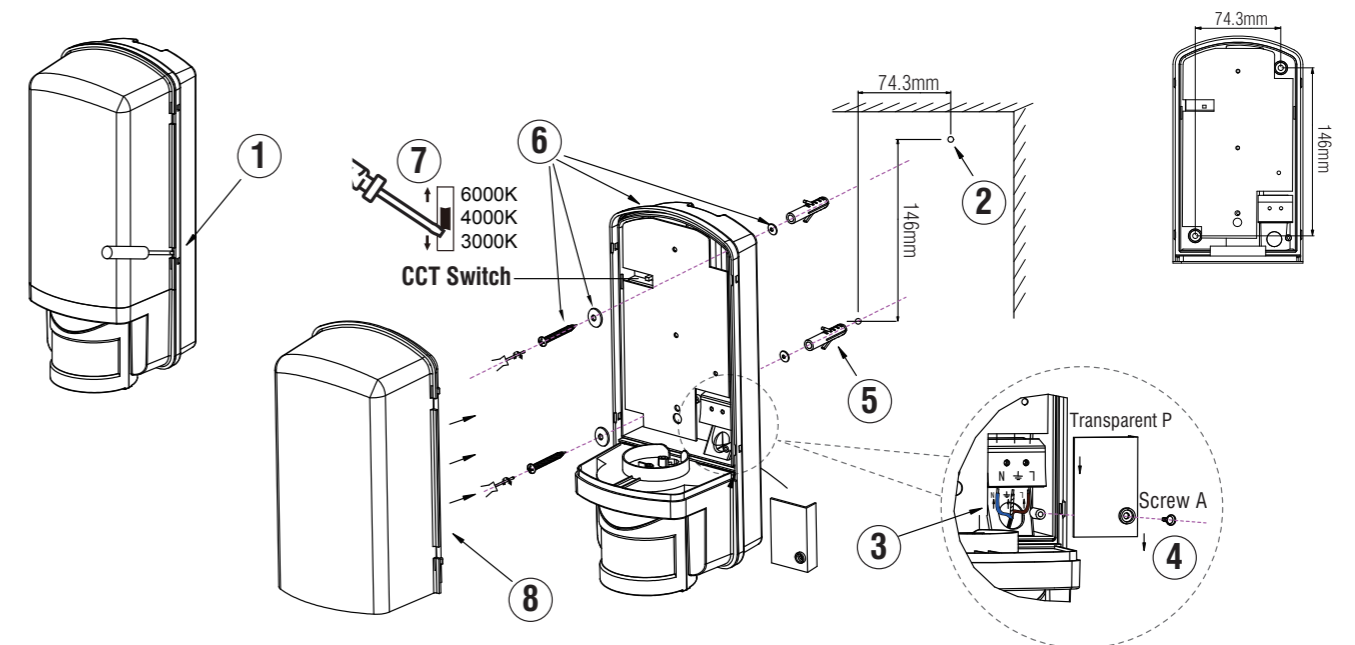
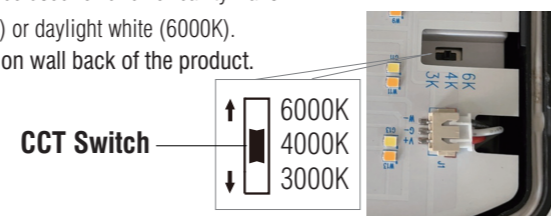
Existing fittings must be completely removed before installation of a new product. Before removing the existing fitting, carefully note the position of each set of wires.

Note that the switch is turned off before installation.

Ensure that the screws and cable entry points are sealed to maintain the IP rating of the product.

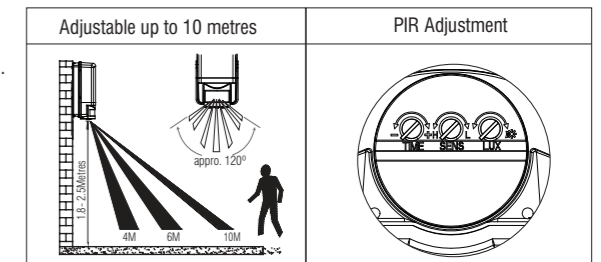
After deciding the layout of the light fittings ensure that the cables are long enough to connect to desired positions

- Determine the position of your light fitting taking into account the entry position of the cable and the **ARROW** indicating which **WAY UP** the base is to be fitted. Make sure there is sufficient cable coming out of the wall to connect to the terminal block. Ensure that the mounting surface is solid, preferably a brick or block wall and ensure that there are no other cables or pipes beneath the surface.
- Remove the lampshade from the wall back using a screwdriver.
- Hold the wall back in position and mark the location of the fixing holes.
- Unscrew Screw A and remove the Transparent plate. Thread the cable through the rubber grommet in the wall back.
- Wire as detailed wiring diagram.
- Reattach the transparent plate.
- Fix the wall back to the wall using the screws and plugs supplied. Ensure the wall is capable of holding the weight of the product. Take care to avoid damaging any concealed wiring and pipes. The correct fixings should be used for brick or cavity walls.
- This product is colour changing and can be either warm white (3000K) or cool white(4000K) or daylight white (6000K). Choose your preferred colour before refitting the lampshade by using the CCT switch on wall back of the product.
Note: Before you change the colour, please turn off the power switch for safety.
- Refit the lampshade to the wall back securely.
- Replace fuse or circuit breaker and switch on. Your light is now ready for use.



PIR Adjustment

- The unit must be installed in a vertical position, and fitted 1.8-2.5m above the ground.
- The PIR sensor can be adjusted, allowing the detection distance to be altered to suit the location. The detection angle is set at 120°. The duration that lamp stays on can also be altered from 1 second - 5 minutes. The LUX range is 10-2000 lux. Rotate the little rotary dial under the product to adjust the TIME, SENS and LUX. When adjusting the sensitivity (detection distance) in daylight it will be necessary to cover the sensor to simulate night time.



The PIR sensor has a **manual override function** which can be operated by taking the following steps:

When first switched on, the PIR sensor will go into “warm up” self test:

- If there are no action, the PIR sensor “warm up” self test for approx 60 seconds and then go into AUTO mode;
- If switch the power OFF and ON twice within 3 seconds (OFF-ON-OFF-ON), the PIR sensor will switch to MANUAL mode;
- If switch the power OFF and ON four times within 3 seconds (OFF-ON-OFF-ON-OFF-ON-OFF-ON), the PIR sensor will switch to Photocell mode.

In AUTO mode, the light is with PIR function:

- If switch the power OFF and ON twice within 3 seconds (OFF-ON-OFF-ON), the PIR sensor will switch to MANUAL mode;
- If switch the power OFF and ON four times within 3 seconds (OFF-ON-OFF-ON-OFF-ON-OFF-ON), the PIR sensor will switch to PHOTOCELL mode;
- If switch the power OFF more than 10 seconds, the PIR sensor will return to 'warm up' self test process.

In MANUAL mode, the light will remain ON permanently, without the PIR or Photocell functions:

- If switch the power OFF more than 10 seconds, the PIR sensor will return to 'warm up' self test process.

In PHOTOCELL mode, The light will enter the photocell control mode; Adjusting the LUX knob can control the environmental LUX level at which the light operates.

The LUX range is 10-2000 Lux. When LUX is MAX, the light will stay on.

- If switch the power OFF more than 10 seconds, the PIR sensor will return to 'warm up' self test process.

