

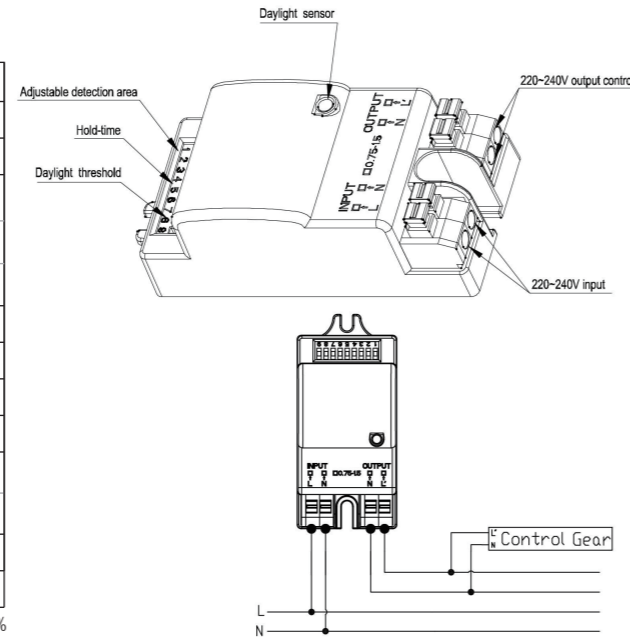
Microwave Movement Sensor (For versions with microwave)

This product is fitted with a microwave movement sensor. Please see below detailed operating instructions.

Technical Specifications:

Operating voltage	220 ~ 240V AC 50/60Hz	
Rated load	400W (Capacitive load) 800W (Resistive load)	
Stand-by power	≤ 0.5W	
Sensitivity	Ceiling mounted height: 3m	100% / 75% / 50% / 25% / 10%
	Ceiling mounted height: 6m*	100% / 75% / 50%
	Wall mounted height: 2m	100% / 75% / 50% / 25% / 10%
Hold-time	5s / 30s / 90s / 3min / 20min / 30min	
Daylight sensor	2Lux / 10Lux / 25Lux / 50Lux / Disable	
Microwave frequency	5.8 GHz ±75MHz	
Transmitting power	1mW Max.	
Detection range	Ceiling mounted height: 3m	3- 6m (radius)
	Wall mounted height: 1.5-2m	12-15m
Detection angle	360° (Ceiling) / 120° (Wall)	
Working temperature	-20°C ~ 60°C	

*50%, 75%, 100% detection sensitivity is workable when installed at 6m mounting height. Only 10%, 25% sensitivity is not able to detect motion signal.



Settings:

<p>1. Sensitivity</p> <p>Sensitivity can be adjusted by selecting the combination on the DIP switches for different applications.</p> <table border="1"> <tr> <td>I - 100%</td> <td>1</td> <td>2</td> <td>3</td> <td></td> </tr> <tr> <td>II - 75%</td> <td>I</td> <td>●</td> <td>●</td> <td>100%</td> </tr> <tr> <td>III - 50%</td> <td>II</td> <td>○</td> <td>●</td> <td>75%</td> </tr> <tr> <td>IV - 25%</td> <td>III</td> <td>●</td> <td>○</td> <td>50%</td> </tr> <tr> <td>V - 10%</td> <td>IV</td> <td>○</td> <td>○</td> <td>25%</td> </tr> <tr> <td></td> <td>V</td> <td>○</td> <td>○</td> <td>10%</td> </tr> </table>	I - 100%	1	2	3		II - 75%	I	●	●	100%	III - 50%	II	○	●	75%	IV - 25%	III	●	○	50%	V - 10%	IV	○	○	25%		V	○	○	10%	<p>2. Hold-time</p> <p>Hold-time refers to the time period that the light remains 100% on if no more movement is detected.</p> <table border="1"> <tr> <td>I - 5s</td> <td>4</td> <td>5</td> <td>6</td> <td></td> </tr> <tr> <td>II - 30s</td> <td>I</td> <td>●</td> <td>●</td> <td>5s</td> </tr> <tr> <td>III - 90s</td> <td>II</td> <td>○</td> <td>●</td> <td>30s</td> </tr> <tr> <td>IV - 3min</td> <td>III</td> <td>●</td> <td>○</td> <td>90s</td> </tr> <tr> <td>V - 20min</td> <td>IV</td> <td>○</td> <td>○</td> <td>3min</td> </tr> <tr> <td>VI - 30min</td> <td>V</td> <td>●</td> <td>●</td> <td>20min</td> </tr> <tr> <td></td> <td>VI</td> <td>○</td> <td>○</td> <td>30min</td> </tr> </table>	I - 5s	4	5	6		II - 30s	I	●	●	5s	III - 90s	II	○	●	30s	IV - 3min	III	●	○	90s	V - 20min	IV	○	○	3min	VI - 30min	V	●	●	20min		VI	○	○	30min	<p>3. Daylight sensor</p> <p>Different daylight threshold can be preset on DIP switches. Light will always turn on upon movement if daylight sensor is disabled.</p> <table border="1"> <tr> <td>I - 2Lux</td> <td>7</td> <td>8</td> <td>9</td> <td></td> </tr> <tr> <td>II - 10Lux</td> <td>I</td> <td>●</td> <td>●</td> <td>2Lux</td> </tr> <tr> <td>III - 25Lux</td> <td>II</td> <td>●</td> <td>○</td> <td>10Lux</td> </tr> <tr> <td>IV - 50Lux</td> <td>III</td> <td>○</td> <td>○</td> <td>25Lux</td> </tr> <tr> <td>V - Disable</td> <td>IV</td> <td>●</td> <td>○</td> <td>50Lux</td> </tr> <tr> <td></td> <td>V</td> <td>○</td> <td>○</td> <td>Disable*</td> </tr> </table> <p>*Disable means the daylight sensor does not work. The sensor will turn on light once motion is detected regardless of ambient light level.</p>	I - 2Lux	7	8	9		II - 10Lux	I	●	●	2Lux	III - 25Lux	II	●	○	10Lux	IV - 50Lux	III	○	○	25Lux	V - Disable	IV	●	○	50Lux		V	○	○	Disable*
I - 100%	1	2	3																																																																																														
II - 75%	I	●	●	100%																																																																																													
III - 50%	II	○	●	75%																																																																																													
IV - 25%	III	●	○	50%																																																																																													
V - 10%	IV	○	○	25%																																																																																													
	V	○	○	10%																																																																																													
I - 5s	4	5	6																																																																																														
II - 30s	I	●	●	5s																																																																																													
III - 90s	II	○	●	30s																																																																																													
IV - 3min	III	●	○	90s																																																																																													
V - 20min	IV	○	○	3min																																																																																													
VI - 30min	V	●	●	20min																																																																																													
	VI	○	○	30min																																																																																													
I - 2Lux	7	8	9																																																																																														
II - 10Lux	I	●	●	2Lux																																																																																													
III - 25Lux	II	●	○	10Lux																																																																																													
IV - 50Lux	III	○	○	25Lux																																																																																													
V - Disable	IV	●	○	50Lux																																																																																													
	V	○	○	Disable*																																																																																													

Trouble shooting:

Malfunction	Cause	Remedy
The light will not come on	Incorrect light-control setting selected	Adjust daylight threshold setting
	Faulty lamp	Replace lamp
	No power supply	Check power to sensor
The lamp is always on	Continuous movement in the detection zone	Check detection area setting
The lamp is on without any identifiable movement	The sensor is not mounted for reliably detecting movement	Securely mount enclosure
	Movement occurred, but not identified by the sensor (Movement behind wall, movement of small object in immediate lamp vicinity etc.)	1. Reduce sensitivity. 2. Check the movement behind walls to avoid facilities such as water pipe, fan, which may mis-trigger the sensor.
The lamp will not work despite movement	Rapid movements are being suppressed to minimize malfunctioning or the detection radius is too small.	Check detection area setting

For further information, please visit <https://www.lighting-info.co.uk/61646>

V8 23/08/2023
UK Manufacturer: BH17 7BY
EU Manufacturer: Brilliant AG,
 Brilliantstrasse 1, D-27442 Gnarrenburg

saxby
lighting

Instruction manual

Luik LED Bulkhead & Gear Tray

LED Bulkhead: 61646, 61647, 61648, 61649, 61650, 61651, 69231, 69232, 69233

Gear Tray: 61652, 61653, 72180, 72181



www.saxbylighting.com

saxby
lighting

Thank you for purchasing this light fitting. Please read the instructions carefully before use to ensure safe and satisfactory operation of this product. Please retain these instructions for future reference.

Warning

Please read these instructions carefully before commencing any work.

This unit must be fitted by a competent and qualified electrician. Install in accordance with IEE Wiring regulations and current Building Regulations.

Check the pack and make sure you have all the parts listed.

To prevent electrocution switch off at mains supply before installing or maintaining this fitting. Ensure other persons cannot restore the electrical supply without your knowledge. If you are in any doubt, please consult a qualified electrician.

This light fitting should be connected to a circuit with a 30mA RCD fitted.

If replacing an existing fitting, make a careful note of the connections.

The mains supply cable must have a minimum cross section area of 1.0mm².

The products can be wall or ceiling mounted. If wall mounting ensure that the power supply is at the bottom.

Please note that the entire unit gets hot whilst on for a period of time.

Waste electrical products should not be disposed of with household waste. Please recycle where facilities exist. Check with your local authority or retailer for recycling advice.

Available combinations

Gear tray:

- 61652: standard (non-dimmable)
- 72180: Microwave
- 61653: Emergency
- 72181: Microwave & Emergency

Casing:

- 61646 : Plain Black
- 61648 : Eyelid Black
- 61650 : Grill Black
- 61647 : Plain Grey
- 61649 : Eyelid Grey
- 61651 : Grill Grey
- 69231 : Plain White
- 69232 : Eyelid White
- 69233 : Grill White

Installation

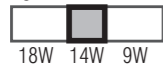
Existing fitting must be completely removed before installation of a new product. Before removing the existing fitting, carefully note the position of each set of wires.

- Note that the switch is closed before installation.
- The surface must be flat and smooth to ensure a good fit.
- Ensure the wall is capable of holding the weight of the product, or if fitting to a ceiling, ensure there is a joist at the point of fixing to support the weight of the product. take care to avoid damaging any concealed wiring and pipes. The correct fixings should be used for brick, cavity walls or plasterboard.
- The help of an assistant is recommended when installing this fitting.
- Remove the shade from the fitting by loosening the screws with the supplied hex key.

- Using the casing as a template, mark the position of the fixing holes. The casing has 4 "knock outs" for cable or conduit entry. It is necessary to knock out the appropriate panel to allow the supply cable to enter the casing. If using conduit, a hole will also need to be drilled through the outer rim to fit the conduit. The knock out must be fitted with a rubber grommet to protect the cable.
- Fix the wall back in place using the supplied screws and wall plugs (Fig. 1).
- Locate the gear tray onto the retaining clips (Fig. 2).
- Rotate the clips to secure the tray into the casing (Fig. 3).
- Refit the polycarbonate diffuser and outer bezel (Fig. 4).
- Connect the wiring. Your light is now ready for use.

For the Gear tray:
61652, 61653, 72180, 72181

The wattage is changeable between 9/14/18W using the wattage switch on the driver before installation.

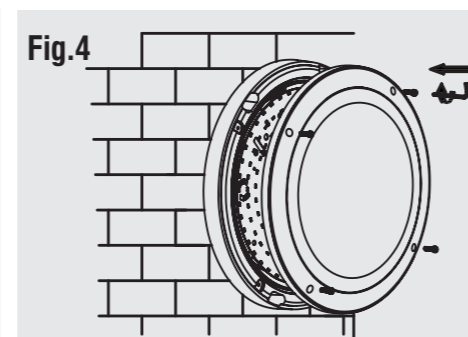
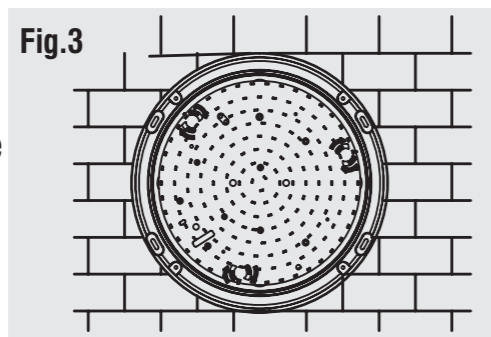
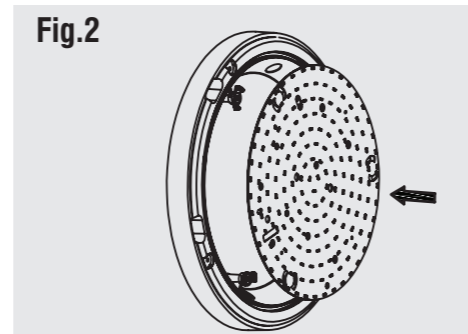
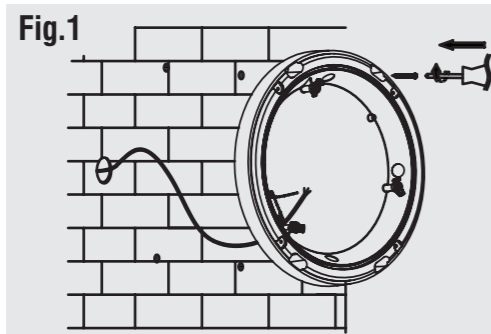
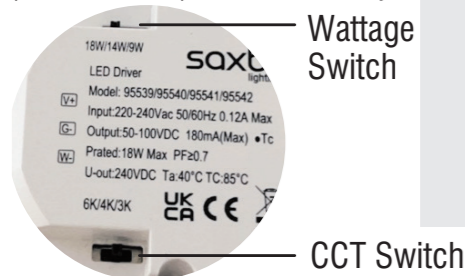


The colour is changeable between 3000/4000/6000K using the CCT switch on the driver before installation.



Choose your preferred wattage and colour before installing by wattage switch or CCT switch on the driver.

Note: Before you change the wattage, please turn off the power switch for safety.



Emergency Operation (For versions with emergency)

- This unit works in maintained mode. The fitting can be switched separately on or off. The unit will charge automatically (LED is green). Several LEDs will remain on when the supply is interrupted.
- Locate the flying lead on the inverter and plug into the connector.
- Replace fuse or circuit breaker and switch on. Ensure that the source is mains (240V ~ 50Hz).
- Verify that the Green LED is illuminated; this confirms that the batteries are charging.

- Charge the battery for at least 24 hours before first use.
- If the LED is not illuminated then there may be no a.c. supply, the battery has not been connected properly or the internal circuit may have failed.
- The battery should be re-charged and checked every three months.
- The battery should be discharged and the duration of the lamp in emergency mode checked every six months.

Battery Replacement (For versions with emergency)

- After routine operation check, the lamp does not remain lit for the set period, a new battery may be required.
- Switch off the electricity at the mains, allow batteries to fully discharge then reconnect to supply and allow to charge for 24 hours.
- Test again for two hours, if light does not remain lit change the inverter / battery unit as follows:

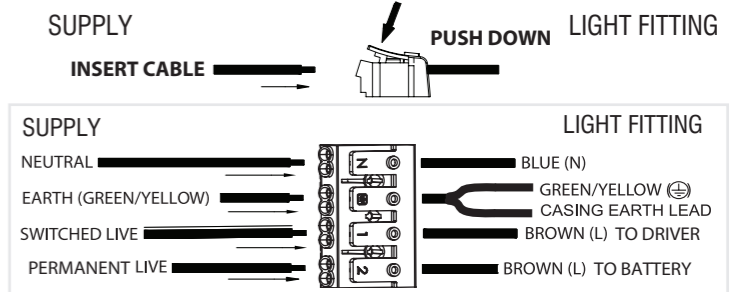
- Obtain a replacement battery / inverter unit. make a note of the wiring, and remove from plate and refit the new one. Undo the screws under the battery, to release it from the gear tray and unplug it from the driver. Plug the new battery into the driver and refit the screws to secure the new battery to the gear tray.
- Perform full operation check and update test record.
- Refit the shade. Ensure that the seal is correctly located. Restore power and allow to charge for 24 hours.

Wiring (For 61653 and 72181 gear tray)

NOTE: The Earth cable connected to the casing must be connected to the output side of the terminal block.

This product can be configured in the following formats:

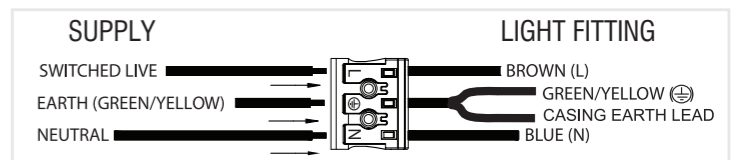
- Non-maintained- connect a Permanent live feed to terminal marked "2"
- Maintained- connect a Live feed to terminal marked "1" add a jumper between terminals "1" and "2"
- Switch maintained- connect a switched live feed to terminal marked "1" and permanent live feed to Terminal marked "2"



Wiring (For 61652 and 72180 gear tray)

Having correctly identified the supply wiring, connect to the connection block mounted to the rear of the gear tray as shown below.

NOTE: The Earth cable connected to the casing must be connected to the output side of the terminal block.



Check that...

- You have correctly identified the wires.
- The connections are tight.
- No loose strands have been left out of the connection block.

Technical data (For gear tray)

Supply Voltage: 220-240 V~, 50 Hz

Bulb Type: 9W/14W/18W LED module (SMD), 3000/4000/6000K

This product contains a light source of energy efficiency class **D**.



UK CA Conformity with all relevant UKCA Directive requirements.

CE Conformity with all relevant EC Directive requirements.

⏚ Class I product, must be connected to earth

Waste Waste electrical products should not be disposed of with household waste. Please recycle where facilities exist. Check with your Local Authority or local store for recycling advice.

IP20 This product is rated at IP20.

Care and Safety

We recommend cleaning with a soft dry cloth. Do not use solvents or abrasive cleaners as these could damage the finish. For your safety, always switch off the power supply before cleaning.