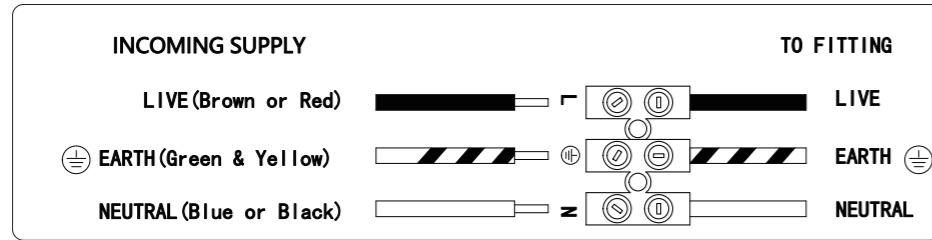


Wiring

Having correctly identified the wiring from your existing light fitting, connect to the approved outdoor junction box(not supplied) in the following way:



Check that...

You have correctly identified the wires. The connections are tight. No loose strands have been left out of the connection block.

Technical data

Supply Voltage: 220-240 V~, 50 Hz

Bulb Type: 9W LED (COB) CCT, 3000/4000/6500K. This product contains a light source of energy efficiency class **F**.



Conformity with all relevant UKCA Directive requirements.



Conformity with all relevant EC Directive requirements.



This product is Class 1, must be connected to earth.



Waste electrical products should not be disposed of with household waste. Please recycle where facilities exist. Check with your Local Authority or local store for recycling advice.



This product is not suitable for dimming.

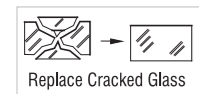


This product is rated at IP54.

Care and Safety

We recommend cleaning with a soft dry cloth. Do not use solvents or abrasive cleaners as these could damage the finish.

For your safety, always switch off the power supply before cleaning.



This bulb is protected by a glass shade. This part must be replaced immediately should the glass shade become cracked or damaged. This fitting must not be used without the glass shade in place.

Instruction manual

Glover Bollard

120349



For further information, please visit <https://www.lighting-info.co.uk/120349>

V3 30/05/2026

UK Manufacturer: BH17 7BY

EU Manufacturer: Brilliant AG,

Brillantstrasse 1, D-27442 Gnarrenburg

saxby
lighting

www.saxbylighting.com

saxby
lighting

Thank you for purchasing this light fitting. Please read the instructions carefully before use to ensure safe and satisfactory operation of this product. Please retain these instructions for future reference.

Warning

This light fitting is Class 1 and must be connected to an Earth circuit

Please read these instructions carefully before commencing any work.

This unit must be fitted by a competent and qualified electrician.

Install in accordance with the IET Wiring regulations and current Building Regulations.

Check the pack and make sure you have all the parts listed.

To prevent electrocution switch off at the mains supply before installing or maintaining this fitting. Ensure other persons cannot restore the electrical supply without your knowledge. If you are in any doubt, please consult a qualified electrician.

This light fitting should be connected to a fused circuit.

If replacing an existing fitting, make a careful note of the connections.

Waste electrical products should not be disposed of with household waste. Please recycle where facilities exist. Check with your local authority or retailer for recycling advice.

Layout

This fitting must be mounted on either a concrete surface or a paving slab that has been concreted in position.

Plan the desired layout of these fittings carefully, ensuring the cables will reach the distances between the junction box and the light fitting

Avoid locating any cables in positions that would cause a hazard. Position cables and outdoor rated junction boxes (not supplied) away from areas where they may be at risk from being cut, trapped or damaged.

We recommend that your use H05RN-F specification cable (not supplied) which is an outdoor grade, rubber sheathed cable.

The cable can be wired into an IP67 (or higher rated) external terminal block (recommended terminal block Ref. 90131/90132).

The mains supply cable must have a minimum cross section area of 1.0mm².

Cables must be protected using suitable conduit or other protections.

Installation

Existing fittings must be completely removed before installation of a new product. Before removing the existing fitting, carefully note the position of each set of wires.

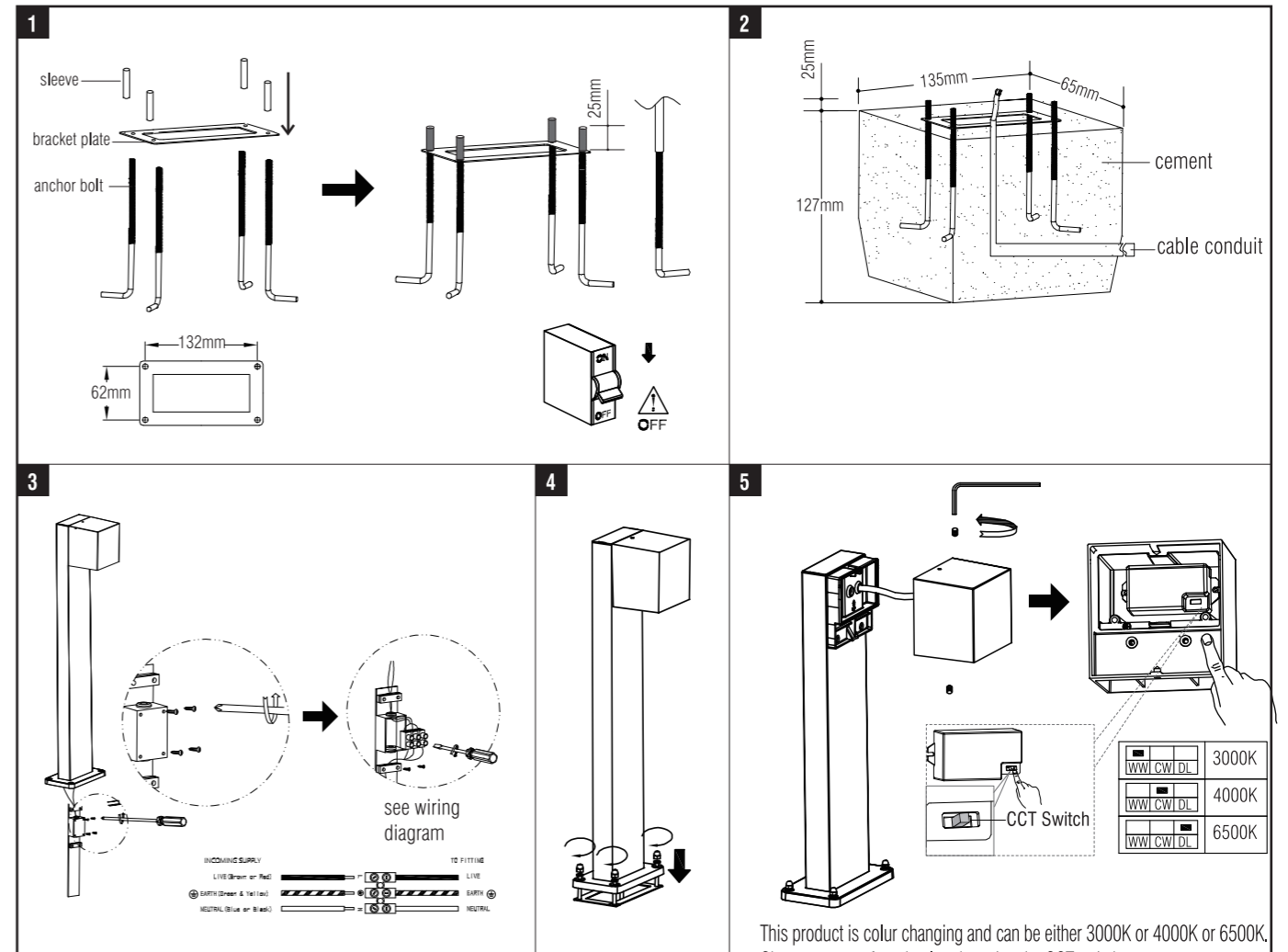
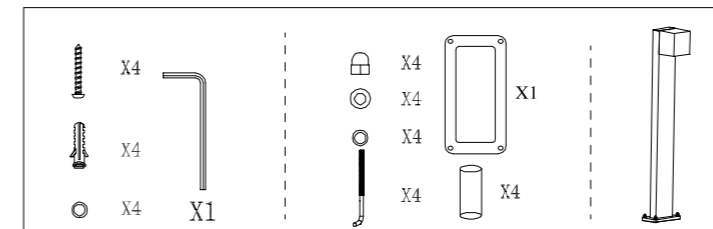
Note that the switch is turned off before installation.

Ensure that the screws and cable entry points are sealed to maintain the IP rating of the product.

This product must be installed into concrete or paving slab. It must not be installed into soil.

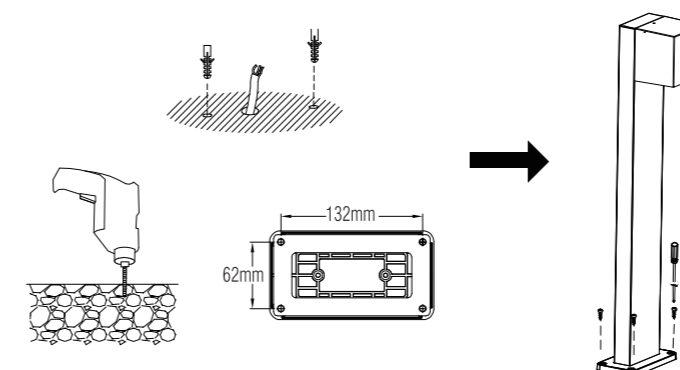
After deciding the layout of the light fittings ensure that the cables are long enough to connect to desired positions.

- Install the anchor bolts onto the bracket plate, expose the thread 25mm. Put the 25mm sleeves over the expose thread to prevent the cement pouring the threads during installation.
- Prepare the hole for the root kit. The foundation should be a 135mm length x 65mm width with a depth of 127mm.
- Pour cement into the hole, ensuring the cement is finished level and smooth. Ensure a suitable amount of supply cable is exposed so the fitting can be correctly wired after the foundation has been prepared.
- Insert the anchor bolts into the wet cement. Ensure the top plate is resting level on top of the cement with the threads exposed.
- Pull out the connection terminal box from the lamp bollard to open, Then pull the main cable through the conduit to connection terminal to wire as detailed wiring diagram. Push the terminal block up into the lamp bollard.
- After the cement has dried, remove the sleeves put over the thread before then use the bolts to secure the base of light fitting to the anchor bolts.
- Use an inner hexagon wrench to turn the screws out to separate lamp shade. Choose your preferred colour by using the CCT switch. Then fix back the lamp shade into the lamp.
- Adjust the angle of the dimming film.
- Replace fuse or circuit breaker and switch on. Your light is now ready for use.



Installation without Root Kit

- Refer to the step#3 in the installation diagram to wire.
- Install the light fitting on the ground using expansion plugs and screws.
- Refer to the step#5 in the installation diagram to choose your preferred colour.
- Refer to the step#6 in the installation diagram to adjust the angle of the dimming film.
- Replace fuse or circuit breaker and switch on. Your light is now ready for use.



This product is colour changing and can be either 3000K or 4000K or 6500K. Choose your preferred colour by using the CCT switch. Default setting is 4000K.

Note: Before you change the colour every time, please turn off the power switch for safety.

