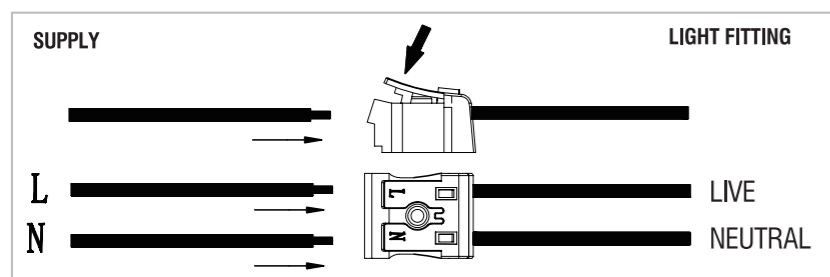


Wiring

Having correctly identified the wiring from your existing light fitting, pull the mains wire through the hole and connect to the quick fit connection block inside the product in the following way:



Check that...

- You have correctly identified the wires.
- The connections are tight.
- No loose strands have been left out of the connection block.
- Reseal the approved outdoor rated external terminal block.

Technical data

Supply Voltage: 220-240 V~, 50 Hz

Bulb Type: 7W LED (SMD) CCT, 3000K/4000K/6000K This product contains a light source of energy efficiency class **D**.



UK CA Conformity with all relevant UKCA Directive requirements.

CE Conformity with all relevant EC Directive requirements.

 The power supply is Double Insulated and does not require connection to an Earth circuit.

 Waste electrical products should not be disposed of with household waste. Please recycle where facilities exist. Check with your Local Authority or local store for recycling advice.

 This product is rated at IP44.

 Caution! Risk of electric shock!

Care and Safety

Live Voltages may be present in this unit even when turned off or when completely disconnected.

We recommend cleaning with a soft dry cloth. Do not use solvents or abrasive cleaners as these could damage the finish.

For your safety, always switch off the power supply before changing lightbulbs, or cleaning.



This LED's are protected by a PC shade. The shade part must be replaced immediately should it become cracked or damaged. This fitting must not be used without the PC shade in place.

For further information, please visit <https://www.lighting-info.co.uk/54555>

V3 07/01/2026

UK Manufacturer: BH17 7BY

EU Manufacturer: Brilliant AG,
Brilliantstrasse 1, D-27442 Gnarrenburg

saxby
lighting

Instruction manual

Evesham PIR/Photocell

54555, 54556



www.saxbylighting.com

saxby
lighting

Thank you for purchasing this light fitting. Please read the instructions carefully before use to ensure safe and satisfactory operation of this product. Please retain these instructions for future reference.

Warning

The power supply is Double Insulated and does not require connection to an Earth circuit.

Please read these instructions carefully before commencing any work.

This unit must be fitted by a competent and qualified electrician.

Install in accordance with the IET Wiring regulations and current Building Regulations.

Check the pack and make sure you have all the parts listed.

To prevent electrocution switch off at the mains supply before installing or maintaining this fitting. Ensure other persons cannot restore the electrical supply without your knowledge. If you are in any doubt, please consult a qualified electrician.

If replacing an existing fitting, make a careful note of the connections.

This light fitting should be connected to a fused circuit.

The entire unit gets hot whilst on for a period of time, ensure the fitting is mounted out of arms reach.

Never put anything on the product or hang anything on any part of this product.

Waste electrical products should not be disposed of with household waste. Please recycle where facilities exist. Check with your local authority or retailer for recycling advice.

Layout

Plan the desired layout of these fittings carefully, ensuring the cables will reach the distances between the junction box and the each light fitting.

Avoid locating any cables in positions that would cause a hazard. Position cables and outdoor rated junction boxes (not supplied) away from areas where they may be at risk from being cut, trapped or damaged.

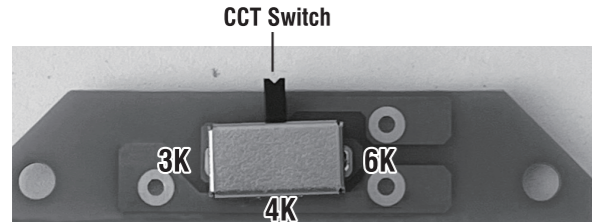
We recommend that you use H05RN-F specification cable (not supplied) which is an outdoor grade, rubber sheathed cable.

The mains supply cable must have a minimum cross section area of 1.0mm².

Cables must be protected using suitable conduit or trunking.

Take care not to drill into any pipes or mains cables beneath the surface during mounting holes preparation.

CCT Function



The colour is changeable between 3000K/4000K/6000K using the CCT switch.

Default setting is 4000K.

Choose your preferred colour before installing by CCT switch inside the product.

Note: Before you change the colour, please turn off the power switch for safety.

Installation

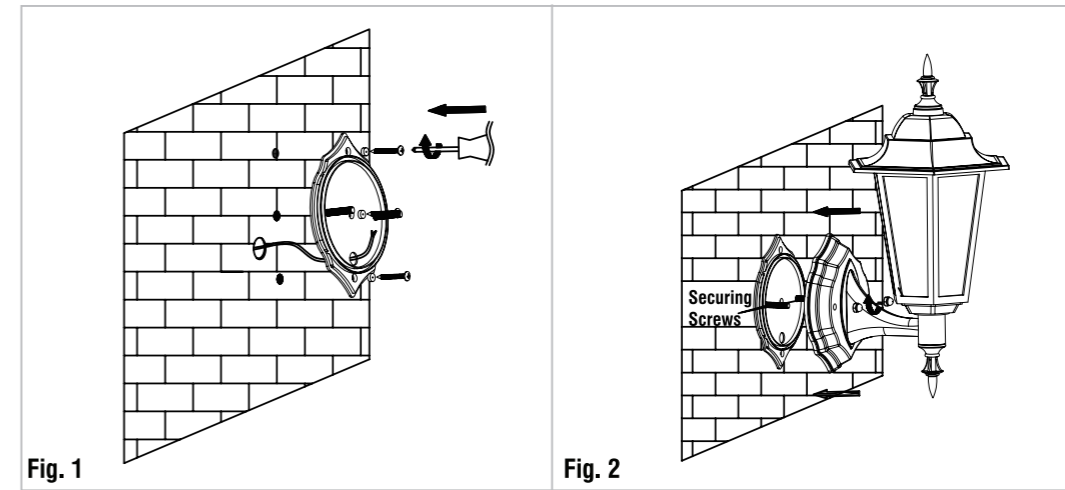
Existing fittings must be completely removed before installation of a new product. Before removing the existing fitting, carefully note the position of each set of wires.

Note that the switch is turned off before installation.

Ensure that the screws and cable entry points are sealed to maintain the IP rating of the product.

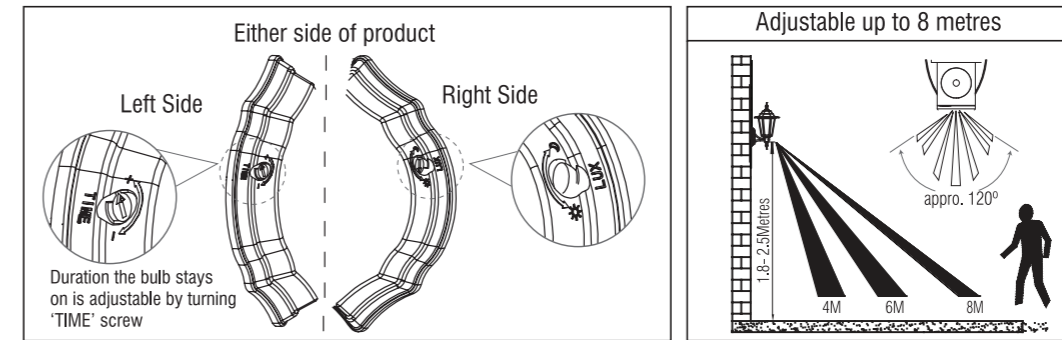
After deciding the layout of the light fittings ensure that the cables are long enough to connect to desired positions.

- Determine the position of your light fitting taking into account the entry position of the cable and the **ARROW** indicating which **WAY UP** the base is to be fitted. Make sure there is sufficient cable coming out of the wall to connect to the terminal block. Ensure that the mounting surface is solid, preferably a brick or block wall and ensure that there are no other cables or pipes beneath the surface.
- Remove the finials from the front of the product and lift the light fitting body away from the wall back. Keep the finials in a safe place for refitting later.
- Using the wall back as a template, mark the position of the mounting holes. Drill holes and fit supplied wall plugs (suitable for masonry only - for other surfaces use appropriate fixings). Feed the incoming mains supply cable through the grommet entry hole. Fix the wall back to the wall using the supplied screws (See **Fig. 1**).
- Wire as detailed wiring diagram.
- Place the light fitting over the threads of the securing screws and refit the rubber washers and finials to secure. Make sure the fitting is correctly oriented in a vertical direction (See **Fig. 2**).
- Replace fuse or circuit breaker and switch on. Your Light is now ready for use.



PIR Adjustment

- The unit must be installed in a vertical position, and fitted 1.8-2.5m above the ground.
- The PIR sensor can be adjusted, allowing the detection distance to be altered to suit the location. The detection angle is set at 120°. The duration that lamp stays on can also be altered from 1 second - 5 minutes. The LUX range is 10-2000 Lux. Rotate the little rotary dial under the product to adjust the TIME and LUX. When adjusting the sensitivity (detection distance) in daylight it will be necessary to cover the sensor to simulate night time.



The PIR sensor has a **manual override function** which can be operated by taking the following steps:

When first switched on, the PIR sensor will go into “warm up” self test:

- If there are no action, the PIR sensor “warm up” self test for approx 60 seconds and then go into AUTO mode;
- If switch the power OFF and ON twice within 3 seconds (OFF-ON-OFF-ON), the PIR sensor will switch to MANUAL mode;
- If switch the power OFF and ON four times within 3 seconds (OFF-ON-OFF-ON-OFF-ON-OFF-ON), the PIR sensor will switch to Photocell mode.

In AUTO mode, the light is with PIR function:

- If switch the power OFF and ON twice within 3 seconds (OFF-ON-OFF-ON), the PIR sensor will switch to MANUAL mode;
- If switch the power OFF and ON four times within 3 seconds (OFF-ON-OFF-ON-OFF-ON-OFF-ON), the PIR sensor will switch to PHOTOCELL mode;
- If switch the power OFF more than 10 seconds, the PIR sensor will return to 'warm up' self test process.

In MANUAL mode, the light will remain ON permanently, without the PIR or Photocell functions:

- If switch the power OFF more than 10 seconds, the PIR sensor will return to 'warm up' self test process.

In PHOTOCELL mode, The light will enter the photocell control mode;

Adjusting the LUX knob can control the environmental LUX level

The LUX range is 10-2000 Lux. When LUX is MAX, the light will stay on.

- If switch the power OFF more than 10 seconds, the PIR sensor will return to 'warm up' self test process.

