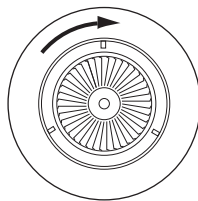


Fitting/replacing the bulbs(Max. 50W GU10)

- When changing a bulb, always switch off at the mains and allow the bulb to cool before handling. Dispose of used bulbs carefully. Use a soft cloth to handle bulbs, avoid directly touching the bulbs as this will shorten their life. Do not exceed the wattage stated or use a different shape bulb from that indicated on the fitting.
- To replace the bulb, Rotate decorative bezel anti-clockwise. Drop down and slide bulb out from clip. To refit, slide bulb into clip, and refit the decorative bezel.



Technical data

Supply Voltage: 220-240 V~, 50 Hz

Bulb Type: Max. 50W GU10 (required)



Conformity with all relevant UKCA Directive requirements.



Conformity with all relevant EC Directive requirements.



This product is double insulated and does not require connection to an earth circuit.



Waste electrical products should not be disposed of with household waste. Please recycle where facilities exist. Check with your Local Authority or local store for recycling advice.



This product is suitable for dimming.

Care and Safety

We recommend cleaning with a soft dry cloth. Do not use solvents or abrasive cleaners as these could damage the finish. For your safety, always switch off the power supply before cleaning.

Always disconnect the product from mains at least 10 minutes allowing to cool down before any maintenance or adjustment.

Instruction manual

Cast Fixed and Tilting Recessed

52329, 52330, 52331, 52332, 52333, 52334, 76006, 76007, 95918, 95919



Fixed



Tilt

Thank you for purchasing this light fitting. Please read the instructions carefully before use to ensure safe and satisfactory operation of this product. Please retain these instructions for future reference.

Warning



This product is double insulated and does not require connection to an earth circuit.



Product is not suitable for direct mounting on normally flammable surfaces (suitable only for mounting on non-combustible surfaces)



Luminaires not suitable for covering with thermally insulating material.

Please read these instructions carefully before commencing any work.

This unit must be fitted by a competent and qualified electrician.

Install in accordance with the IEE Wiring regulations and current Building Regulations.

Check the pack and make sure you have all the parts listed.

To prevent electrocution switch off at the mains supply before installing or maintaining this fitting. Ensure other persons cannot restore the electrical supply without your knowledge. If you are in any doubt, please consult a qualified electrician.

This light fitting should be connected to a fused circuit.

If replacing an existing fitting, make a careful note of the connections.

Always use the correct type and wattage bulb. Never exceed the wattage stated.

When changing a bulb, always switch off at the mains and allow the old bulb to cool down before handling.

Dispose of used bulbs carefully and responsibly.

This product is suitable for dimming when used in conjunction with a dimmable lamp. please ensure verification of dimming abilities with the lamp manufacture prior to use.

Waste electrical products should not be disposed of with household waste. Please recycle where facilities exist. Check with your local authority or retailer for recycling advice.

Layout

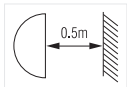
Plan the desired layout of these fittings carefully, ensuring the cables will reach the distances between each light fitting.

Avoid locating any cables in positions that would cause a hazard. Position cables and connector block away from areas where they may be at risk from being cut, trapped or damaged.

This product has no special protection against the ingress of moisture, and is rated as IP20.

The mains supply cable must have a minimum cross section area of 1.0mm²

Cables must be protected using suitable conduit or plastic trunking.



Spotlights give a concentrated beam of light and must not be positioned any closer than 0.5m (50cm) to the illuminated surface.

Installation

Existing fittings must be completely removed before installation of a new product. Before removing the existing fitting, carefully note the position of each set of wires.

Note that the switch is turned off before installation.

Ensure free movement of air around the fitting by removing any roof void insulation from at least 100mm around the hole, under no circumstances must these fittings be covered with insulating or similar material.

The ceiling surface must be flat and smooth to ensure a good fit.

After deciding the layout of the light fittings ensure that the cables are long enough to connect to desired positions..

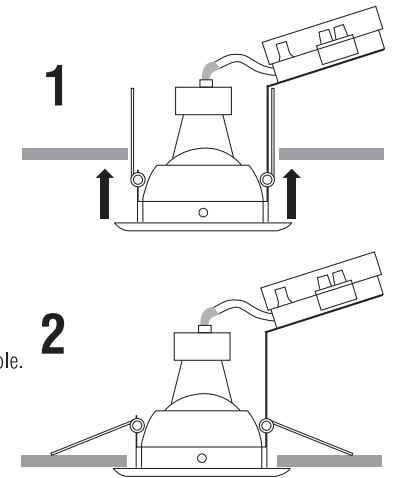
When more than one downlight is installed, the minimum distance between units is 500mm. the unit must be located a minimum distance of 100mm from a joist.

- Cut the correct sizes hole according to your model of fitting using an appropriate tool. It is recommended to cut the hole slightly smaller than needed, then file the hole until the recessed unit fits snugly.

52329/52330/52331/76006/95918: Ø70mm

52332/52333/52334/76007/95919: Ø80mm

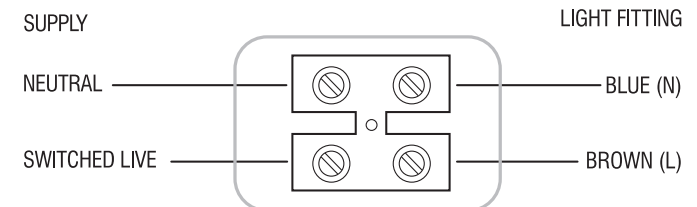
- Ensure the minimum void depth is 95mm.
- Attach the spring clips to the body of the recessed unit by squeezing the sides together and locating the spring coils over the two metal tabs. Ensure that the terminal block bracket is fitted at the same time, with the terminal block pointing away as show in **diagram 1**. Ensure the longer arm of the clip is uppermost and the shortest points away from the bulb.
- After deciding the layout of the light fittings ensure that the cables are long enough to connect to the desired positions.
- Wire as detailed wiring.
- Push the spring clips upwards and fit the two arms into the ceiling hole.
- Push the unit up until firmly in position, ensuring that the cable is not trapped.
- Adjust the tilt for 52332/52333/52334/76007/95919 before switching on.
- Replace circuit breaker and switch on. Your light is now ready for use.



Wiring

This product is double insulated and must not be Earthed. If there are any incoming earth cables, they must be joined together and well insulated with good quality insulation tape. This is to ensure earth continuity throughout your property.

Having correctly identified the wiring from your existing light fitting and connect to the connection block inside the product in the following way.



Check that...

You have correctly identified the wires.

The connections are tight.

No loose strands have been left out of the connection block.