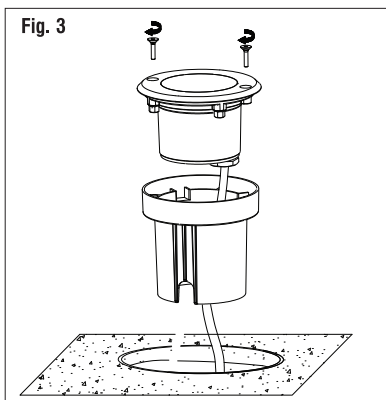


Commissioning

- See Fig. 3. Using the allen key provided, remove the 2 hex screws from the top metal ring and place the metal ring and screws to one side.
- Refit the product into the plastic housing and fit the 2 small screws which are provided in the fixing pack into the plastic housing and tighten to secure, as shown in Fig. 3.
- Refit the metal ring and hex screws set aside earlier and tighten to secure.
- Replace fuse or circuit breaker and switch on. Your light is now ready for use.




Fitting/replacing bulbs

- This system contains non-replaceable parts and cannot be serviced. If damage occurs the part should be scrapped.

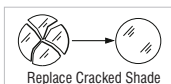
We recommend cleaning with a soft dry cloth.
Do not use solvents or abrasive cleaners as these could damage the finish.

Recycling advice

 Waste electrical products should not be disposed of with household waste. Please recycle where facilities exist. Check with your Local Authority or retailer for recycling advice.

Safety information

For your safety, always switch off the power supply before cleaning.
This system contains non-replaceable parts and cannot be serviced. If damage occurs the part should be scrapped.



The shade must be replaced immediately should the shade become cracked or damaged. This fitting must not be used without the shade in place.

Instruction leaflet

Ayoka Ground Recessed LED

67405, 67406



UK Manufacturer: BH17 7BY
EU Manufacturer: Brilliant AG,
Brilliantstrasse 1, D-27442 Gnarrenburg

www.saxbylighting.com

V7 19/12/2022

Saxby Lighting

UK
CA CE

saxby
lighting

Thank you for purchasing this light fitting. Please read the instructions carefully before use to ensure safe and satisfactory operation of this product. Please retain these instructions for future reference.

Warning

This is a Class 1 product and must be earthed.

Please read these instructions carefully before commencing any work.

This system operates at Mains Voltage (240V) and must be installed by a qualified electrician and in accordance with IEE Wiring Regulations and current Building Regulations.

An appropriate outdoor mains cable must be used to power this product.

To prevent electrocution switch off at mains supply before installing or maintaining this fitting. Ensure other persons cannot restore the electrical supply without your knowledge. If you are in any doubt, please consult a qualified electrician.

This light fitting should be connected to a circuit with a 30mA RCD fitted.

If replacing an existing fitting, make a careful note of the connections.

This system contains non-replaceable parts and cannot be serviced. If damage occurs the part should be scrapped.

This product is not suitable for dimming.

This luminaire is designed for outdoor installation and is rated at IP67.

This product will require an appropriate outdoor rated junction box (not supplied).

This product is not suitable for location in or near a marine environment.

This product is unsuitable for immersion in water.

Specification

Voltage: 220-240V~ 50Hz
Lamp: 10W LED (DOB), 6500K
IP rating: 67

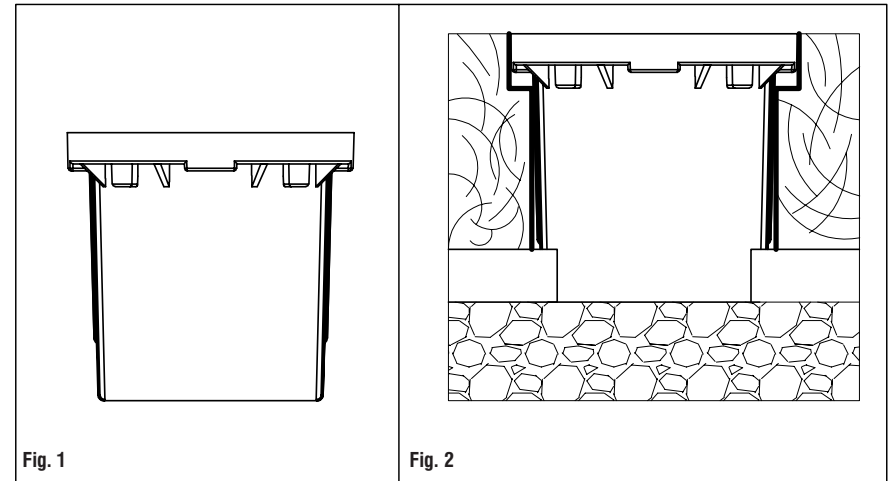
Layout

- Plan the desired layout of this fitting carefully, ensuring the cables will reach the distance between the junction box and the light fitting.
- Avoid locating any cables in positions that would cause a hazard. Position cables and outdoor rated junction boxes (not supplied) away from areas where they may be at risk from being cut, trapped or damaged.
- Suitable outdoor cable must be used and protected using suitable conduit or plastic trunking.
- We recommend that you use H05RN-F specification cable (not supplied) which is an outdoor grade, rubber sheathed cable. The mains supply cable must have a minimum cross sectional area of 1.0mm²

Installation

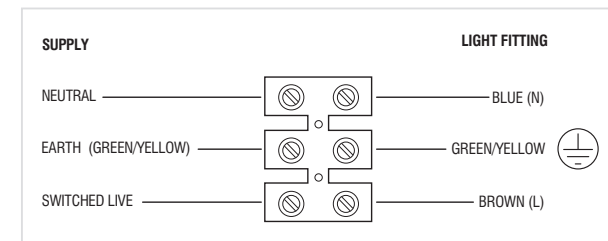
Existing fittings must be completely removed before installation of a new product. Before removing the existing fitting, **carefully note the position of each set of wires.**

- Carefully pull the product out of plastic housing.
- Form a recess to fit the housing into. The dimensions of the housing are 100mm diameter with 100mm minimum ground void. Ensure that there is adequate drainage below the product.
- Position the conduit or plastic trunking under the housing and pull the cable through. Ensure that the cables are not snagged.
- Fix the housing in place as shown in Fig. 2.
- Wire as detailed below.



Wiring

Having correctly identified the wiring from your existing light fitting, connect to the approved outdoor rated or approved terminal block in the following way:



Check that...

- You have correctly identified the wires.
- The connections are tight.
- No loose strands have been left out of the connection block.