

## Commissioning

- Refer to Fig. 1. Fit the product over the fixing bolts, re-fit the plastic washers (B) and then the dome nuts (A). Use a suitable spanner to securely tighten the product to the mounting surface.

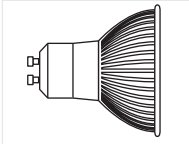
- Replace fuse or circuit breaker and switch on. Your light is now ready for use.

## Fitting/replacing bulb (Max. 7W LED GU10)

**When changing a bulb, always switch off at the mains and allow the bulb to cool before handling.** Dispose of used bulbs carefully. Use a soft cloth to handle bulbs, avoid directly touching the bulbs as this will shorten their life. Do not exceed the wattage stated or use a different shape bulb from that indicated on the fitting. Check with your retailer re bulb dimming capability before purchasing replacement bulbs.

1. Unscrew the bezel
2. Remove the old bulb by turning anti-clockwise.
3. Insert new bulb.
- 4 Replace the bezel ensuring that it is tightly secured.

7W LED GU10



## Care & Cleaning

Do not use solvents or abrasive cleaners as these could damage the finish.

In some cases, surface corrosion may arise after installation. This is normally caused by tiny iron particles left behind after the brushing process when finishing. In normal circumstances, stainless steel is very resistant to corrosion. It does however require maintenance to preserve the high quality appearance. Wash the product with warm soapy water, removing all surface deposits. Rinse with clean water and with a soft cloth, wipe dry. Then with a soft cloth soaked with a protective oil, wipe all over.

If the product is subject to extreme environmental conditions such as marine locations, industrial pollution and acid rain these maintenance procedures should be carried out around four times a year. For severe corrosion, non-abrasive cream cleaners or proprietary stainless steel cleaners should be used to remove the corrosion. Wash and dry as detailed above. Then with a soft cloth soaked with a protective oil, wipe all over.

Glass parts: Remove and wash in warm water or just use a damp cloth. Do not use abrasive materials as these will damage the finish.

## Recycling advice



Waste electrical products should not be disposed of with household waste. Please recycle where facilities exist. Check with your Local Authority or retailer for recycling advice.

## Safety information

For your safety, always switch off the power supply before changing lightbulbs, or cleaning. Live Voltages may be present in this unit even when turned of or when completely disconnected. This system contains non-replaceable parts and cannot be serviced. If damage occurs, the part should be scrapped.



The shade must be replaced immediately should the shade become cracked or damaged. This fitting must not be used without the shade in place.

UK Manufacturer: BH17 7BY  
EU Manufacturer: Brilliant AG,  
Brillantstrasse 1, D-27442 Gnarrenburg

V7 08/04/2022

Saxby Lighting

## Instruction leaflet

# Atlantis Post

70847, 70848



UK  
CA CE

saxby  
lighting

Thank you for purchasing this light fitting. Please read the instructions carefully before use to ensure safe and satisfactory operation of this product. Please retain these instructions for future reference.

## Warning

### This light fitting is Class 1 and must be connected to an Earth circuit

Please read these instructions carefully before commencing any work.

This unit must be fitted by a competent and qualified electrician.

Install in accordance with IEE Wiring regulations and current Building Regulations.

To prevent electrocution switch off at mains supply before installing or maintaining this fitting. Ensure other persons cannot restore the electrical supply without your knowledge. If you are in any doubt, please consult a qualified electrician.

This light fitting should be connected to a circuit with a 30mA RCD fitted.

If replacing an existing fitting, make a careful note of the connections.

Always use the correct type and wattage bulb. Using the incorrect wattage bulb will damage the bulb and ballast.

When changing a bulb, always switch off at the mains and allow the old bulb to cool down before handling. Dispose of used bulbs carefully and responsibly.

Waste electrical products should not be disposed of with household waste. Please recycle where facilities exist. Check with your local authority or retailer for recycling advice.

This product is rated at IP65.

This product is suitable for dimming.

This product is manufactured from marine grade stainless steel, making it suitable for application in coastal environments.

Please note: The entire unit gets hot whilst on for a period of time.

## Specification

Voltage: 220-240V~ 50Hz  
Lamp: 2 x Max. 7W LED GU10  
IP rating: 65

## Layout

- Plan the desired layout of this fitting carefully, ensuring the cables will reach the distance between the junction box and the light fitting.
- This product is designed for domestic and light industrial use. It should not be used to support other objects or used as a replacement for concrete or metal pillars.
- Avoid locating any cables in positions that would cause a hazard. Position cables and outdoor rated

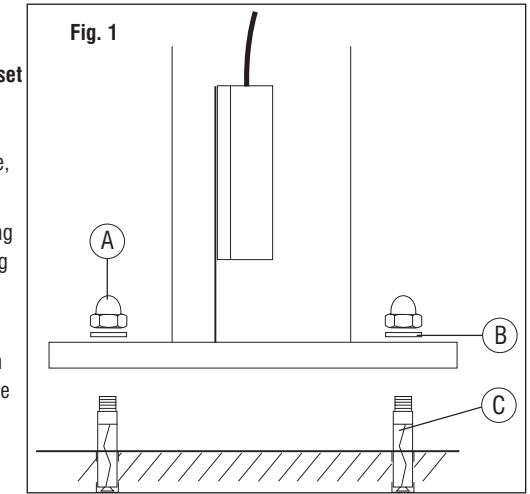
junction boxes (not supplied) away from areas where they may be at risk from being cut, trapped or damaged.

- We recommend that you use H05RN-F specification cable (not supplied) which is an outdoor grade, rubber sheathed cable. The mains supply cable must have a minimum cross sectional area of 1.0mm<sup>2</sup>.
- This product must be installed into concrete or paving slab. It must not be installed into soil.

## Installation

Existing fittings must be completely removed before installation of a new product. Before removing the existing fitting, **carefully note the position of each set of wires**.

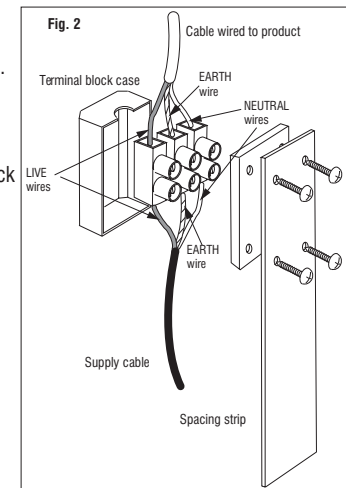
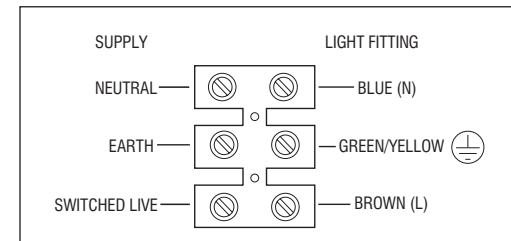
- Refer to Fig. 1. Using the base plate as a template, mark the fixing holes onto the mounting surface.
- Drill holes to the necessary size and depth - taking care not to damage any concealed pipes or wiring below the mounting surface.
- This product comes complete with expanding bolt type fixings (C) which are suitable for use on most surfaces, however alternative fixings may be required.
- Push the fixing bolts into the mounting holes.



## Wiring

Having correctly identified the wiring from your existing light fitting, pull the wire through the bottom of the fitting and connect to the approved IP67 (or higher rated) terminal block inside the product in the following way (recommended terminal block Ref. 90131/90132)

- See Fig. 2. Pull spacing strip from inside of tube.
- Unscrew the 4 screws which attach the black box to the spacing strip. Open the terminal block case and pull out the terminal block. Wire as detailed below.
- Push terminal block back into the black box and refit the terminal block cover.



## Check that...

- You have correctly identified the wires.
- The connections are tight.
- No loose strands have been left out of the connection block.