

Smart Seina RGB

91962

Technical data

Supply Voltage: 220-240V~, 50Hz | Output: 12V DC 5W Max. Constant voltage

Bulb Type: 3.5W LED module (SMD) RGB

The LED module of this luminaire is not replaceable, when the LED module reaches its end of life the whole luminaire shall be replaced.



Conformity with all relevant UKCA Directive requirements.



Conformity with all relevant EC Directive requirements.



The power supply is Double Insulated and does not require connection to an Earth circuit.



Waste electrical products should not be disposed of with household waste. Please recycle where facilities exist. Check with your Local Authority or local store for recycling advice.



This product is suitable for dimming with 'TUYA' app, Amazon Echo or Google Home.

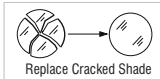


This product is rated at IP44

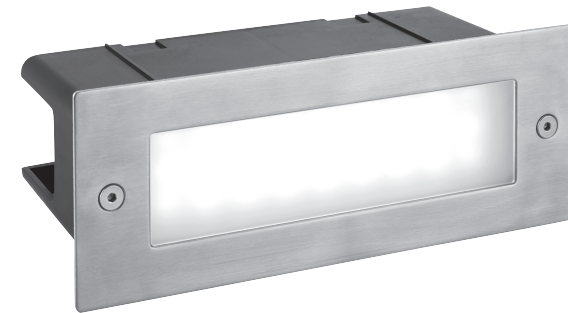
Care and Safety

We recommend cleaning with a soft dry cloth. Do not use solvents or abrasive cleaners as these could damage the finish.

For your safety, always switch off the power supply before changing lightbulbs, or cleaning.



The LED module is protected by a shade. This part must be replaced immediately should the shade become cracked or damaged. This fitting must not be used without the shade in place.



Thank you for purchasing this light fitting. Please read the instruction carefully before use to ensure safe and satisfactory operation of this product. Please retain these instruction for future reference.

Warning

 This power supply is Double Insulated and does not require connection to an Earth circuit.

The LED units are Safety Extra Low Voltage and must not be earthed.

Please read these instructions carefully before commencing any work.

This unit must be fitted by a competent and qualified electrician.

Check the pack and make sure you have all the parts listed.

Install in accordance with the IEE Wiring regulations and current Building Regulations.

This system operates at Safety Extra Low Voltage (12V), via an LED driver. Never connect the light fittings directly to the mains without using the supplied driver.

To prevent electrocution switch off at mains supply before installing or maintaining this fitting. Ensure other persons cannot restore the electrical supply without your knowledge. If you are in any doubt, please consult a qualified electrician.

This light fitting should be connected to a circuit with a 30mA RCD fitted.

If replacing an existing fitting, make a careful note of the connections.

This system contains non-replaceable parts and cannot be serviced. If damage occurs the part should be scrapped.

This bricklight product is specifically designed and tested for installation into vertical walls only. Under no circumstances should it be fitted into the ground or into horizontal surfaces.

This product is manufactured from marine grade stainless steel, making it suitable for application in coastal environments.

Waste electrical products should not be disposed of with household waste. Please recycle where facilities exist. Check with your local authority or retailer for recycling advice.

Layout

Plan the desired layout of these fittings carefully, ensuring the cables will reach the distances between the mains plug, the LED driver and each light fitting.

Avoid locating any cables in positions that would cause a hazard. Position cables and outdoor rated junction boxes (not supplied) away from areas where they may be at risk from being cut, trapped or damaged.

We recommend that you use H05RN-F specification cable (not supplied) which is an outdoor grade, rubber sheathed cable.

The mains supply cable must have a minimum cross sectional area of 1.0mm²

Cables must be protected using suitable conduit or plastic trunking.

Product must only be installed into vertical walls.

Installation

Existing fittings must be completely removed before installation of a new product. Before removing the existing fitting, carefully note the position of each set of wires.

Note that the switch is turned off before installation.

Ensure that the screws and cable entry points are sealed to maintain the IP rating of the product.

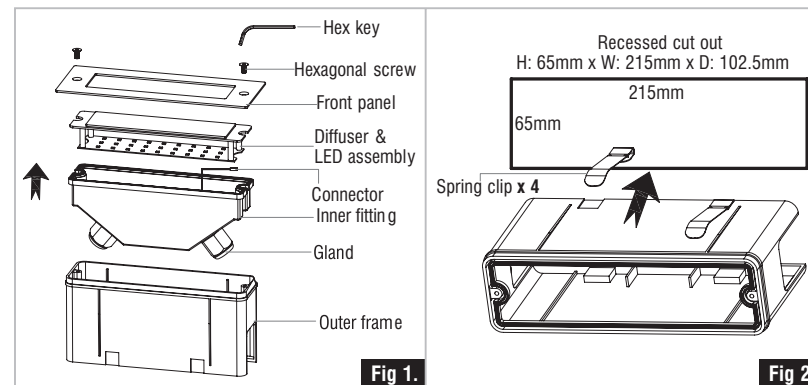
- Using the supplied hex key, remove the front panel by unscrewing the two hexagonal screws. Then disassemble the bricklight; remove the diffuser & LED assembly by disconnecting the 2-pin cable, and the inner fitting from the outer frame. See **Fig 1**.
- N.B. this product is supplied with a plain front panel. It cannot be interchanged with a louvered panel.
- Select a mounting location for the product and prepare a cut out size of H: 65mm x W: 215mm x D: 102.5mm. If removing an existing brick, the mortar should not be removed.
- Pass the incoming supply cable through the cut out and through the outer frame.
- Fit the 4 spring clips into the outer frame by pushing them into the slots. Ensure they are securely fitted and then securely fit the outer frame into the wall. See **Fig 2**.
- Wire as detailed **Wiring diagram**
- Tighten the cable gland to ensure waterproof seal.
- Assemble the bricklight, ensuring the front bezel is securely fitted to ensure the front bezel is securely fitted to ensure waterproof seal.
- Replace fuse or circuit breaker and switch on. Your light is now ready for use.

This product is suitable for dimming with 'Tuya' app, Amazon Echo or Google Home.

We recommend putting the wifi receiver within 20-25 meters of your WI-FI Hub. This will vary depending on the strength of your WI-FI coverage.

Saxby Smart products are only supported on 2.4G WIFI bands.

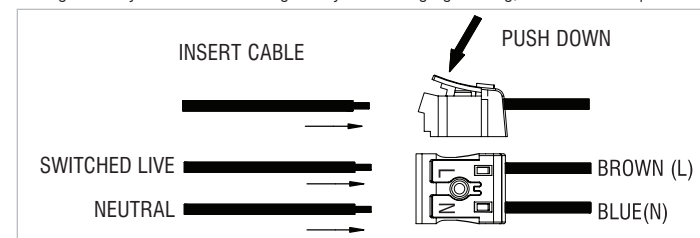
We recommend testing the position before full installation.



Wiring

This product is double insulated and must not be earthed. If there are any incoming earth cables, they must be joined together and well insulated with good quality insulation tape. This is to ensure earth continuity throughout your property.

Having correctly identified the wiring from your existing light fitting, connect to the quick fit connection block in the following way:



Check that...

- You have correctly identified the wires.
- The connections are tight.
- No loose strands have been left out of the terminals.