

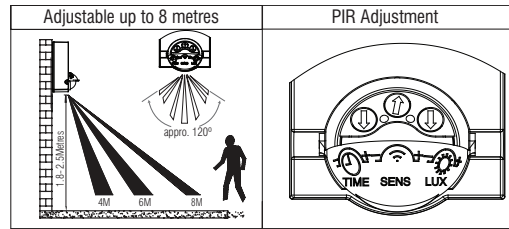
Morti PIR

67686

PIR Adjustment

To access the adjustment screws flip down the black cover over the PIR sensor. Take great care when adjusting the sensor screws not to over tighten as they can be easily broken.

- The unit must be installed in a vertical position, and fitted 1.8-2.5m above the ground.
- The PIR sensor can be adjusted, allowing the detection distance to be altered to suit the location. The detection angle is set at 120°. The duration that lamp stays on can also be altered from 10 seconds - 5 minutes. The LUX range is 10-2000 lux. The detection distance "SENS" can be adjusted up to 8m. A small tool may be required to adjust the controls. When adjusting in daylight it will be necessary to cover the sensor to simulate night time.



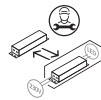
Technical data

Supply Voltage: 220-240 V~, 50 Hz

Bulb Type: 11W LED module (SMD), 4000K

This product contains a light source of energy efficiency class **D**.

  Non-replaceable light source



Replaceable control gear by a professional



Conformity with all relevant UKCA Directive requirements.



Conformity with all relevant EC Directive requirements.



This product is Class 1, must be connected to earth.



Waste electrical products should not be disposed of with household waste. Please recycle where facilities exist. Check with your Local Authority or local store for recycling advice.

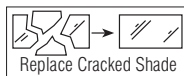


This product is rated at IP44.

Care and Safety

We recommend cleaning with a soft dry cloth. Do not use solvents or abrasive cleaners as these could damage the finish. For your safety, always switch off the power supply before cleaning.

Glass parts – Wash with warm water or just use a damp cloth. Do not use abrasive materials as this will damage the finish.



The LED module is protected by a shade. The shade cannot be replaced, if the shade becomes cracked or damaged, this light fitting must be discarded.



For further information, please visit <https://www.lighting-info.co.uk/67686>

V3 04/08/2023

UK Manufacturer: BH17 7BY

EU Manufacturer: Brilliant AG,
Brillantstrasse 1, D-27442 Gnarrenburg

saxby
lighting

www.saxbylighting.com

saxby
lighting

Thank you for purchasing this light fitting. Please read the instructions carefully before use to ensure safe and satisfactory operation of this product. Please retain these instructions for future reference.

Warning

This light fitting is Class 1 and must be connected to an Earth circuit.

Please read these instructions carefully before commencing any work.

This unit must be fitted by a competent and qualified electrician.

Install in accordance with the IEE Wiring regulations and current Building Regulations.

Check the pack and make sure you have all the parts listed.

To prevent electrocution switch off at the mains supply before installing or maintaining this fitting. Ensure other persons cannot restore the electrical supply without your knowledge. If you are in any doubt, please consult a qualified electrician.

If replacing an existing fitting, make a careful note of the connections.

This system contains non-replaceable parts and cannot be serviced. If damage occurs the part should be scrapped.

This product is not suitable for location in or near a marine or sea environment.

The entire unit gets hot whilst on for a period of time.

Waste electrical products should not be disposed of with household waste. Please recycle where facilities exist. Check with your local authority or retailer for recycling advice.

Layout

Plan the desired layout of these fittings carefully, ensuring the cables will reach the distances between the junction box and the each light fitting.

Avoid locating any cables in positions that would cause a hazard. Position cables and outdoor rated junction boxes (not supplied) away from areas where they may be at risk from being cut, trapped or damaged.

We recommend that you use H05RN-F specification cable (not supplied) which is an outdoor grade, rubber sheathed cable.

The mains supply cable must have a minimum cross section area of 1.0mm².

Cables must be protected using suitable conduit or plastic trunking.

Take care not to drill into any pipes or mains cables beneath the surface during mounting holes preparation.

Installation

Existing fittings must be completely removed before installation of a new product. Before removing the existing fitting, carefully note the position of each set of wires.

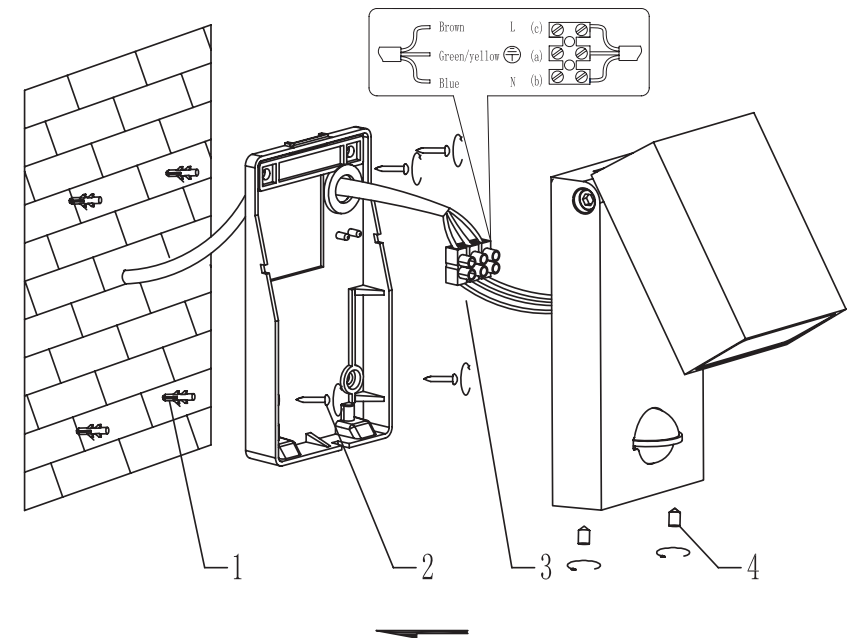
Note that the switch is turned off before installation.

Ensure that the screws and cable entry points are sealed to maintain the IP rating of the product.

After deciding the layout of the light fittings ensure that the cables are long enough to connect to desired positions

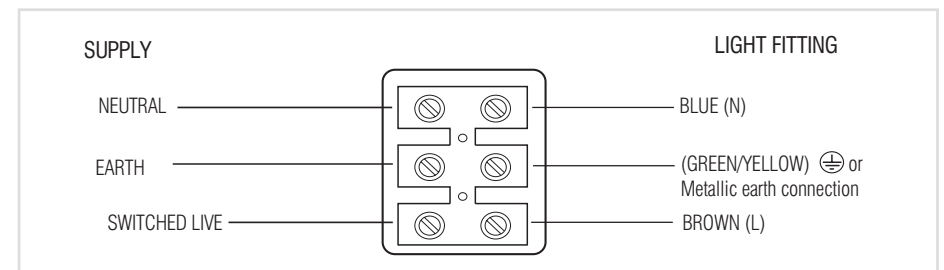
- Undo the grub screws located on the bottom of the product with the supplied allen key to separate the light fitting from the wall back. Keep screws safe for refitting later.
- Using the wall back as a template, mark the position of the mounting holes.
- Drill holes and fit supplied wall plugs (suitable for masonry only - for other surfaces use appropriate fixings). Pierce the grommet with a sharp object, such as a screwdriver and feed the incoming mains supply cable through the entry hole grommet. Fix the wall back to the wall using the supplied fixings.
- Wire as detailed wiring diagram.

- Place the light fitting over the top lip at the top of the wall back and gently push towards the wall until the light fitting is flush with the wall back. Make sure the seal is evenly spread around the wall back and metal tabs are in place to ensure ingress projection.
- Refit the light fitting with the grub screws set aside earlier. Do not overtighten.
- The top head of this product is hinged. Adjust the angle to the desired position.
- Replace fuse or circuit breaker and switch on. Your light is now ready for use.



Wiring

Having correctly identified the wiring from your existing light fitting, pull the mains wire through the hole and connect to the connection block inside the product in the following way:



Check that...

- You have correctly identified the wires.
- The connections are tight.
- No loose strands have been left out of the connection block.
- When completed, ensure that there are no bare or loose strands of wire exposed, and cover all exposed areas of the connection block with 2 layers of insulation tape.