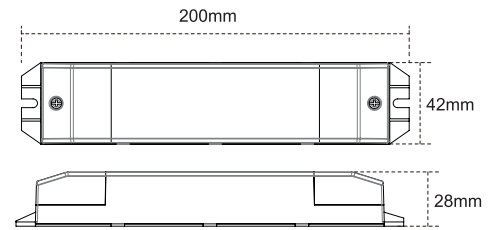


Emergency LED Conversion Kit Self Test

Features:

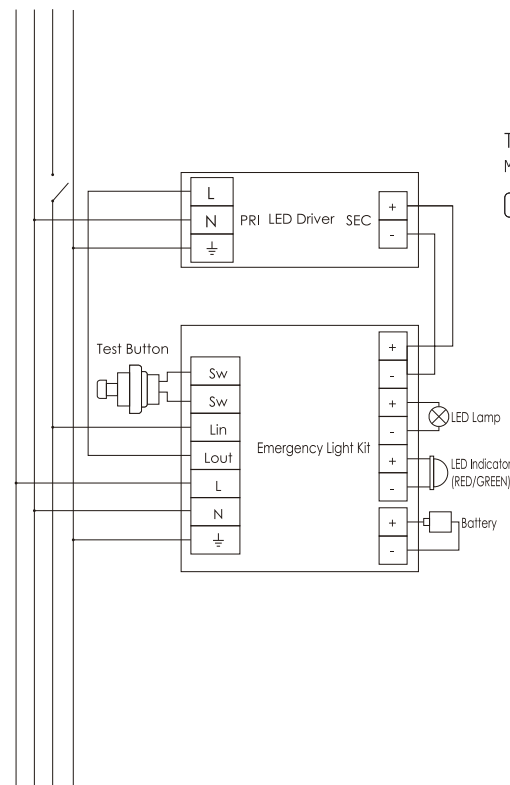
- Self test function
- Lithium intelligent automatic recharging
- Constant power output
- Wide range LED voltage 6-60V
- 3 hours emergency operation
- Over discharge protection
- Test button
- 2-colour status display LED
- Fitted with LifePO4 battery
- Suitable for LED luminaire with detached driver



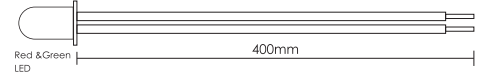
Parameters:

Technical Data	Model No.	91944
Rated supply voltage		220-240V~
Frequency		50/60Hz
Input current		30mA
Input power		3.5W
Power factor		0.65C
Charge current		280mA
Recharge hours		24h
EM LED current LED		370-38mA
EM LED voltage		6-60V
EM LED power LED		2.3W
EM LED emergency time		3h
Ambient temperature t_a		0...+50°C
Max. casing temperature t_c		+80°C
Battery type		LifePO4 3.2V 6.6Ah
Dimensions (LxWxH) mm		200x42x28
Fixing centre D		190mm

Unswitch Switch
L N L \perp



Status Indication LED
Mounting hole 6.5mm dia



Test Button
Mounting hole 7.0mm dia

