

90982

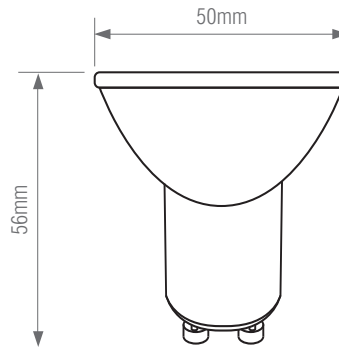
## GU10 LED SMD 3000K

### FEATURES

- 2 years warranty
- Constructed from ceramics & glass
- Flicker free

### SPEC DATA

Product Wattage:	6W
Product Lumen:	470
Lumen/W:	78.4
Kelvin:	3000K
Energy Rating:	F
Dimmable:	Y
Product Beam Angle:	38°
Standby power:	0W
CRI:	80
Power Factor:	0.5
Lifetime (Hours):	25000
LED Brand:	San'an
SDCM:	< 6
Driver Type:	Constant Current 30mA
Inrush Current at Start Up:	1.25A
Product Voltage:	220-240V
Hertz:	50/60
Surge Protection (KV):	2
Operating Temp.:	-20 to 45 Degree
IP Rating:	20
Product Weight (KG):	0.055



### ACCESSORIES

- 101345, Dimmer module 100W universal
- 101346, Dimmer module 250W trailing edge