

50673

ShieldPLUS Fixed Downlight

FEATURES

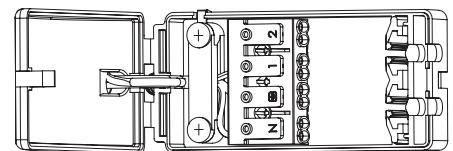
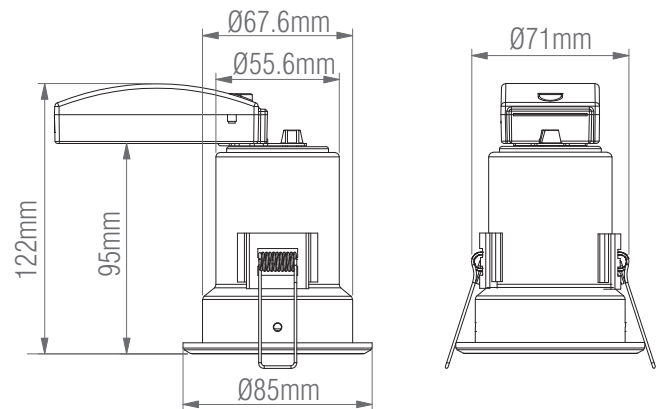
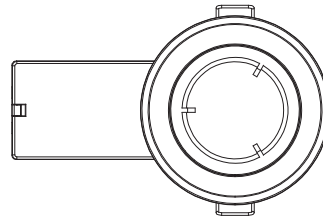
- 2 years warranty
- Satin nickel plate finish
- Constructed from die cast aluminium alloy & steel
- Cast bezel with chamfered tabs to aid easy lamp replacement
- Fire rated 30/60/90 minutes and acoustically rated

SPEC DATA

| | |
|-----------------------|--------------------------|
| Product Wattage: | Max. 50W GU10 (required) |
| Dimmable: | Y |
| Product Voltage: | 220-240V |
| Hertz: | 50/60 |
| IP Rating: | 20 |
| Product Weight (KG): | 0.235 |
| Cut hole Dia: | 70mm |
| Minimum Cavity Depth: | 122mm |
| Terminal Block: | 4-way fast fix |
| Class: | 1 |

ACCESSORIES

70257, GU10 LED 60°, 3000K
70258, GU10 LED 60°, 4000K
74045, GU10 LED 60°, 6000K
70259, GU10 LED dimmable 60°, 3000K
70260, GU10 LED dimmable 60°, 4000K
74048, GU10 LED dimmable 60°, 6000K



Quick fit